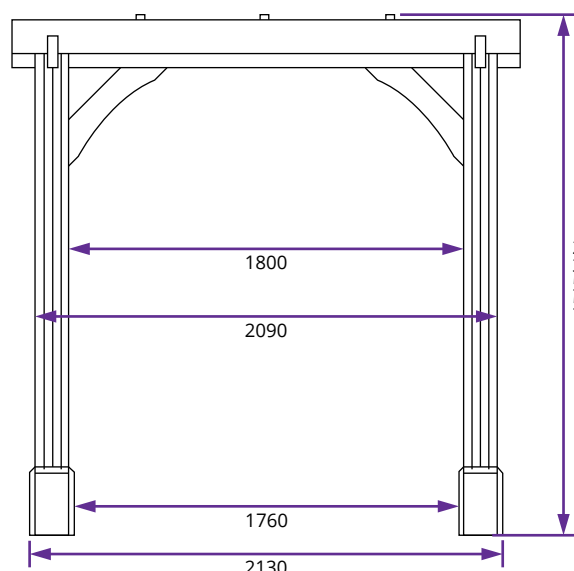
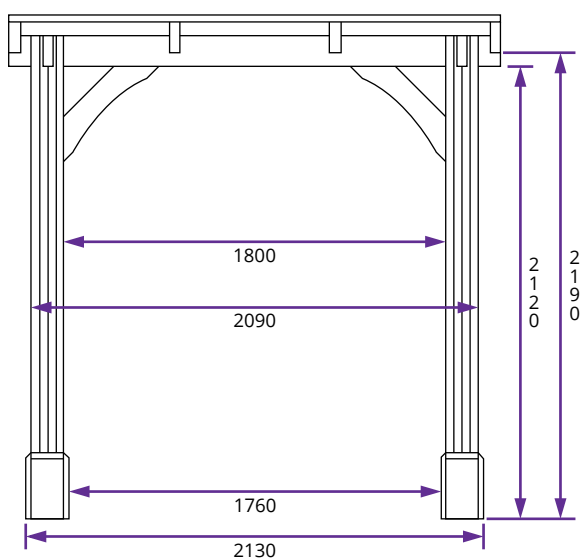
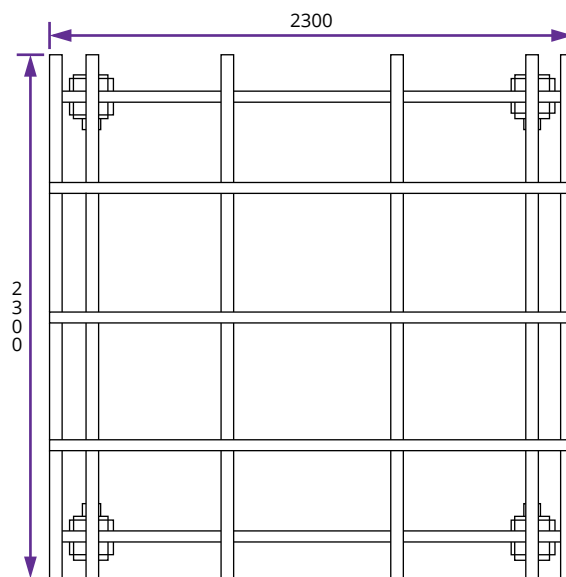


# Atlas Wooden Pergola W2.3m x D2.3m



## Specification

- **Overall External Dimensions:** 2.30m x 2.30m (7' 6" x 7' 6")
- **External Width:** 2.13m (6' 11")
- **External Depth:** 2.13m (6' 11")
- **Ridge Height:** 2.35m (7' 8")
- **Timber:** Pressure Treated Spruce
- **Uprights:** 145mm x 145mm

- **Approx. Assembly Time:** 1 - 2 Days\*

\*This is an approximate time only, based on 2 people. Assembly time may vary depending on season/weather conditions, foundation type, ability of those constructing, etc

- **Guarantee:** 10 Years on Pressure Treated Timber against Rot and Insect Infestation
- **Please Note:** All fixings needed for assembly are supplied