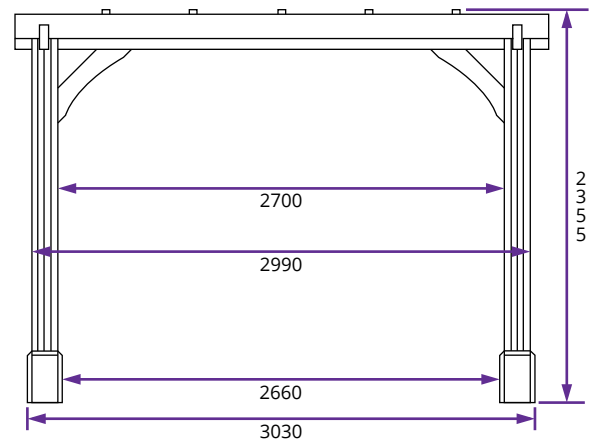
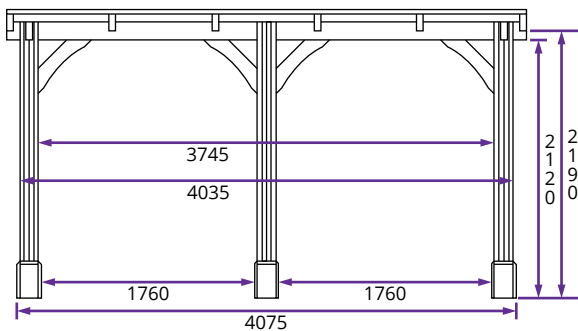
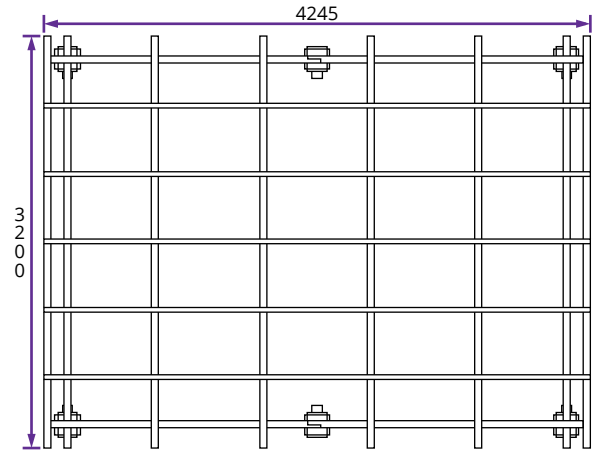


Atlas Wooden Pergola W4.0m x D3.0m



Specification

- **Overall External Dimensions:** 4.24m x 3.20m (13' 10" x 10' 5")
- **External Width:** 4.07m (13' 4")
- **External Depth:** 3.20m (9' 11")
- **Ridge Height:** 2.35m (7' 8")
- **Timber:** Pressure Treated Spruce
- **Uprights:** 145mm x 145mm

- **Approx. Assembly Time:** 1 - 2 Days*

*This is an approximate time only, based on 2 people. Assembly time may vary depending on season/weather conditions, foundation type, ability of those constructing, etc

- **Guarantee:** 10 Years on Pressure Treated Timber against Rot and Insect Infestation
- **Please Note:** All fixings needed for assembly are supplied