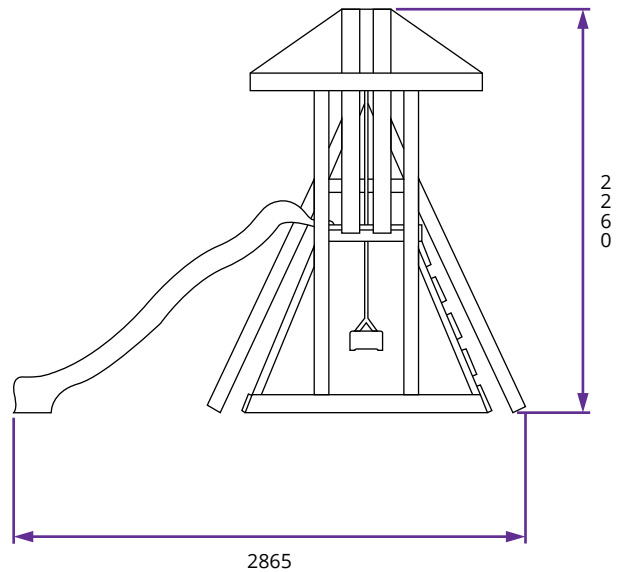
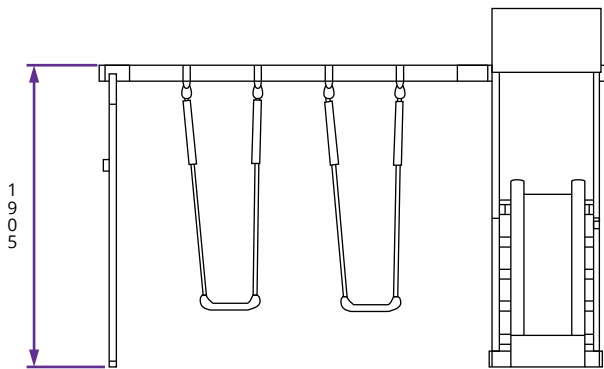
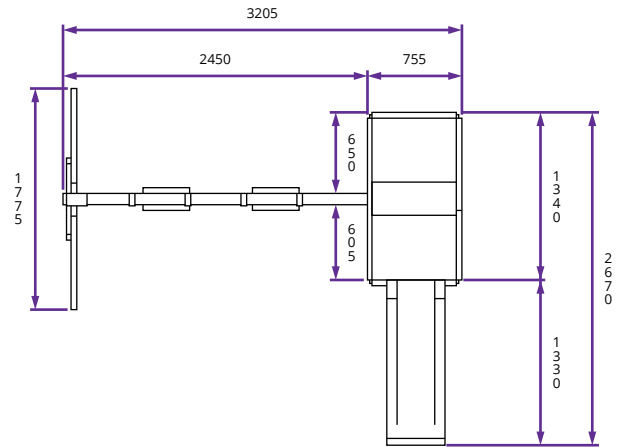


JuniorFort Tower W3.2m x D2.9m



Specification

- **External Width:** 3.20m (10' 5")
- **External Depth:** 2.85m (9' 4")
- **Overall Height:** 2.25m (7' 4")
- **Platform Width:** 0.60m (1' 11")
- **Platform Depth:** 0.60m (1' 11")
- **Platform Height From Ground:** 1.05m (3' 5")
- **Number of Children:** 3 Maximum at one time
- **Number of Children on Platform:** 1 Maximum at one time
- **Weight of Children:** 50kg Maximum
- **Suitable Age Range:** 3 - 10 Years Old
- **Main Timber:** 70mm x 35mm
- **Timber:** Pressure Treated
- **Independently Tested Safety Standard:** EN71
- **Safety Ground Anchors:** 4 included
- **Safety Ground Anchor Material:** Galvanised Steel
- **Safety Ground Anchor Length:** 530mm
- **Swings:** 2 Single Piece swings
- **Wrap Around Safety Swing Hooks:** 4
- **Slide Construction:** One Piece durable plastic
- **Climbing Wall:** Climbing Ladder
- **Screws and Fixings:** Included