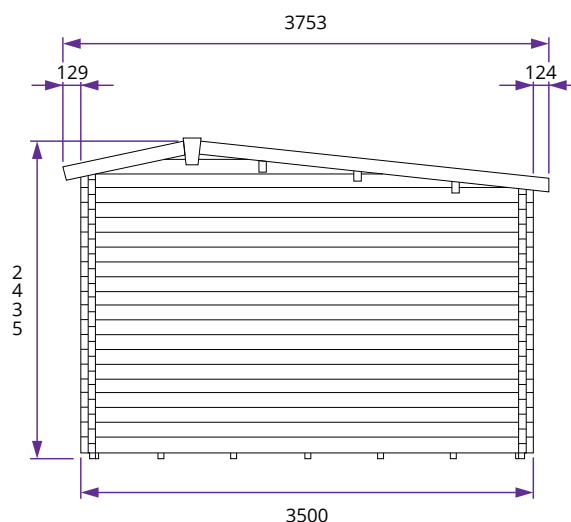
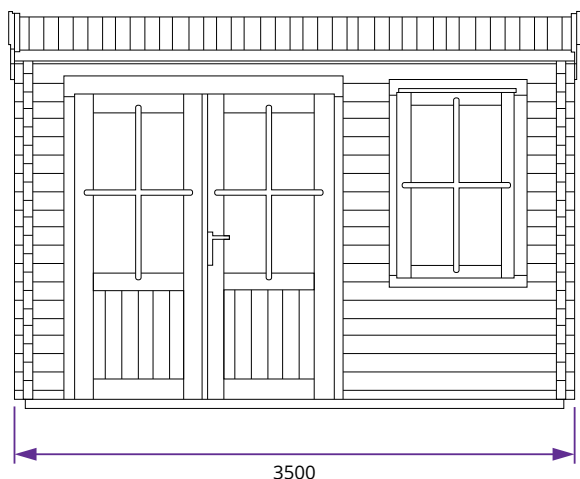
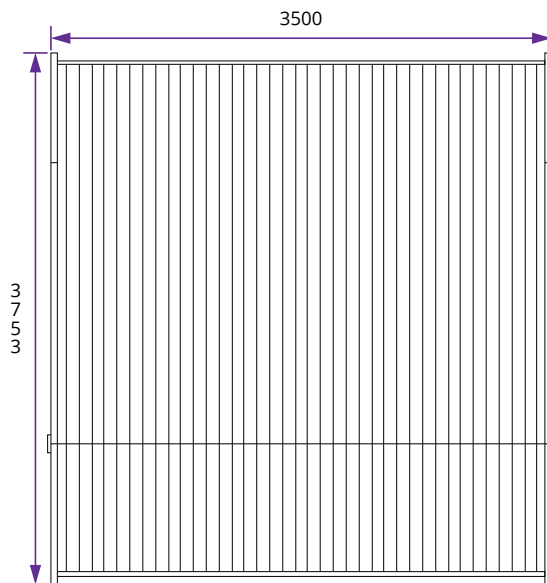


Carsare Log Cabin W3.5m x D3.5m



Specification

- **Overall External Dimensions:** 3.50m x 3.75m (11' 5" x 12' 3")
- **External Width:** 3.50m (11' 5")
- **External Depth:** 3.50m (11' 5")
- **Internal Width:** 3.30m (10' 9")
- **Internal Depth:** 3.30m (10' 9")
- **Internal Area (m²):** 10.92m²
- **Ridge Height:** 2.45m (8' 0")
- **Internal Eaves Height Front:** 2.19m (7' 2")
- **Internal Eaves Height Back:** 2.08m (6' 9")
- **Wall U-Value:** 2.59 W/m²k
- **Roof Style:** Modern
- **Roof & Floor Thickness:** 19mm Tongue and Groove
- **Floor Bearers:** Pressure Treated
- **Storm Braces:** Included
- **Door Height (Including Frame):** 2.02m (6' 7")
- **Door Height (Walkthrough Height):** 1.88m (6' 2")
- **Door Width (Walkthrough Width):** 1.55m (5' 1")
- **Door Locking System:** Industry Leading 4 Point Lock - 2 Cams, Latch & Hook Bolt
- **Window Locking System:** Multi Point with Mushroom Headed Espagnolettes
- **Window Opening Size:** 0.66m x 1.08m (2' 1" x 3' 6")
- **Glazing Material:** 4mm Toughened Glass
- **Glazing Options:** Single Glazing on 28mm Walls. 24mm Double Glazing on 45mm Walls
- **Ventilation:** 2 Plastic Vents Included
- **Approx. Assembly Time:** 1 - 2 Days*

*This is an approximate time only, based on 2 people. Assembly time may vary depending on season/weather conditions, foundation type, ability of those constructing, etc