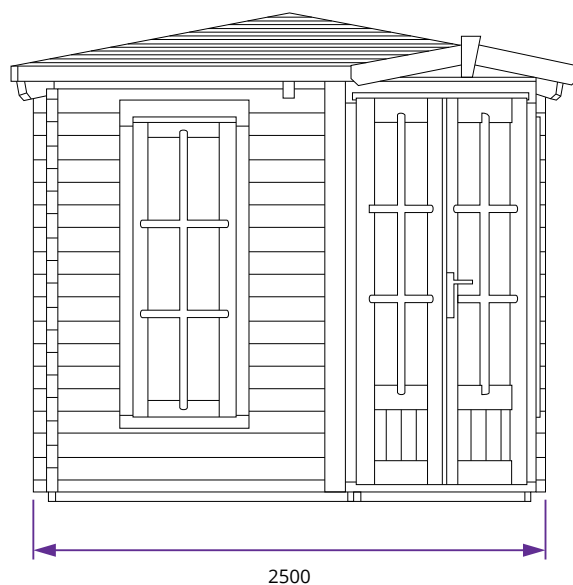
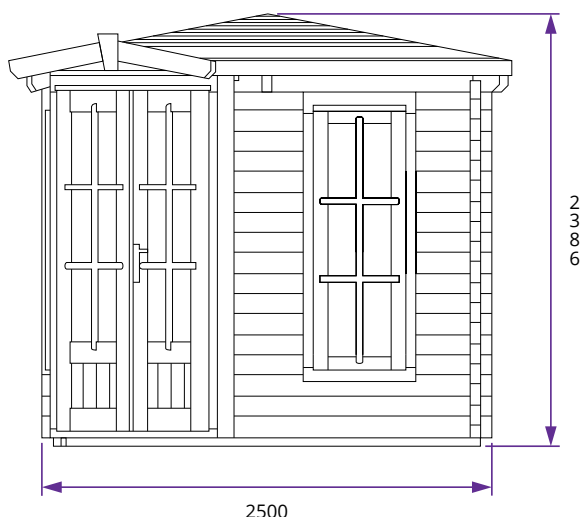
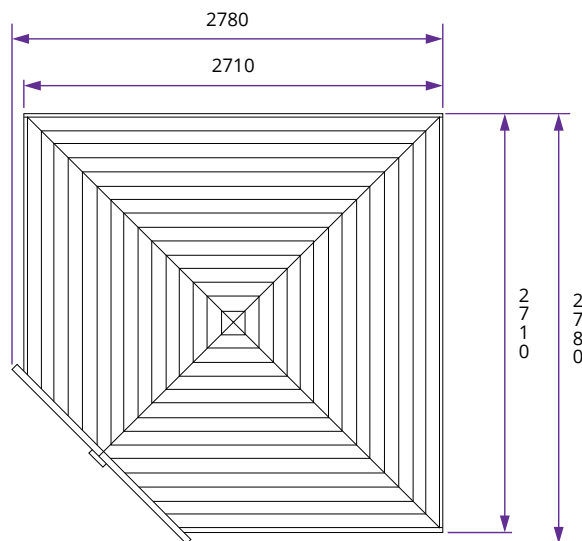


Coronet Corner Log Cabin W2.5m x D2.5m



Specification

- **Overall External Dimensions:** 2.78m x 2.78m (9' 1" x 9' 1")
- **External Width:** 2.50m (8' 2")
- **External Depth:** 2.50m (8' 2")
- **Internal Width:** 2.28m (7' 5")
- **Internal Depth:** 2.28m (7' 5")
- **Internal Area (m²):** 5.00m²
- **Ridge Height:** 2.39m (7' 10")
- **Internal Eaves Height:** 2.08m (6' 9")
- **Wall U-Value:** 1.93 W/m²k
- **Roof & Floor Thickness:** 19mm Tongue and Groove
- **Floor Bearers:** Pressure Treated
- **Storm Braces:** Included
- **Door Locking System:** Industry Leading 4 Point Lock - 2 Cams, Latch & Hook Bolt

- **Door Height (Including Frame):** 2.01m (6' 7")
- **Door Height (Walkthrough Height):** 1.88m (6' 2")
- **Door Width (Walkthrough Width):** 1.10m (3' 7")
- **Window Locking System:** Multi Point with Mushroom Headed Espagnolettes
- **Window Opening Size:** 0.44m x 1.37m (1' 5" x 4' 5")
- **Glazing Material:** 4mm Toughened Glass
- **Glazing Options:** 24mm Double Glazing Included as Standard!
- **Ventilation:** 2 Plastic Vents Included
- **Approx. Assembly Time:** 1 - 2 Days*

*This is an approximate time only, based on 2 people. Assembly time may vary depending on season/weather conditions, foundation type, ability of those constructing, etc