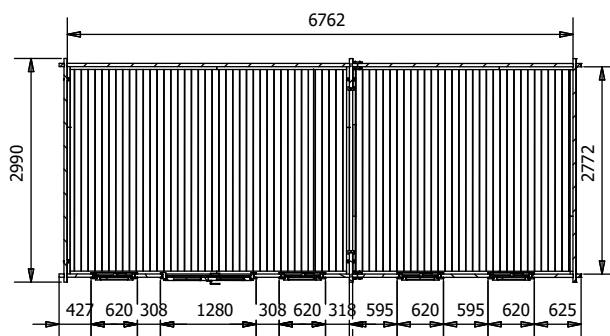
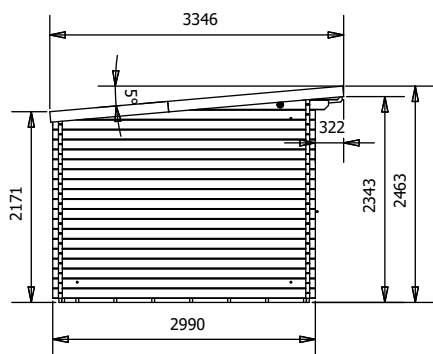
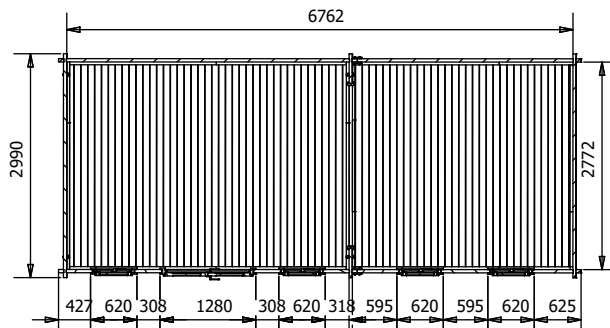




Terminator Grande Log Cabin

W7m x D3m



Specification

- Overall External Dimensions: 7.01m x 3.35m (22' 12" x 10' 12")
- External Width: 6.98(22' 12")
- External Depth: 2.99m (10' 12")
- Internal Width: 6.66m (21' 10.25")
- Internal Depth: 2.71m (8' 10.75")
- Internal Area (m²): 18.05m²
- Ridge Height: 2.46m (8' 0.75")
- Internal Eaves Height: 2.32m (7' 7.25")
- Wall U-Value: 1.93 W/m²k
- Roof Style: Pent
- Roof & Floor Thickness: 19mm Tongue and Groove
- Floor Bearers: Pressure Treated
- Storm Braces: Included

- Door Height (Walkthrough Height): 1.82m (5' 11")
- Door Width (Walkthrough Width): 1.11m (3' 7")
- Door Locking System: Industry Leading 4 Point Lock - 2 Cams, Latch & Hook Bolt
- Window Locking System: Multi Point with Mushroom Headed Espagnolettes
- Window Opening Size: 0.43m x 1.37m (1' 5" x 4' 5")
- Glazing Material: 4mm Toughened Glass
- Glazing Options: 24mm Double Glazing as Standard!
- Ventilation: 2 Plastic Vents Included
- Approx. Assembly Time: 2 Days*

*This is an approximate time only, based on 2 people. Assembly time may vary depending on season/weather conditions, foundation type, ability of those constructing, etc