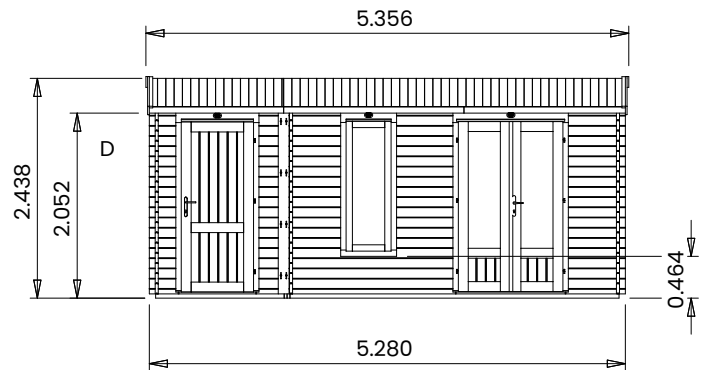
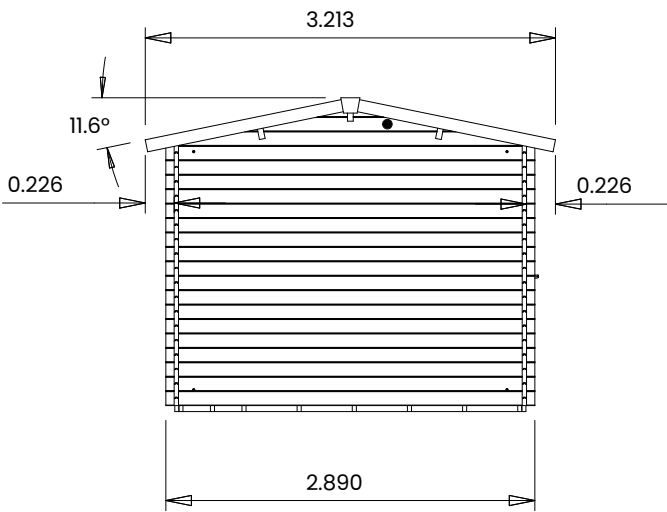
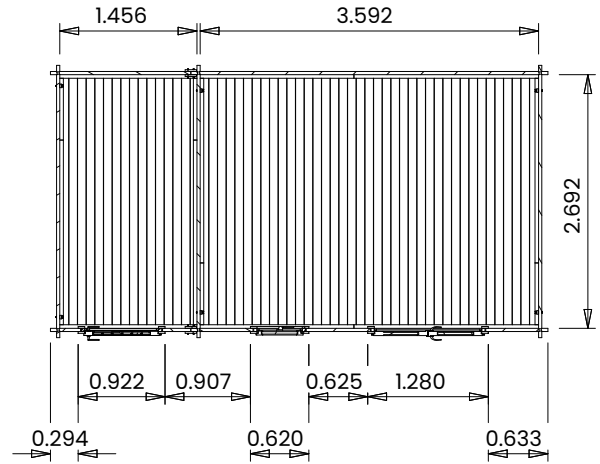


EvilBob Log Cabin



Specification

- Overall External Dimensions: 5.356m x 3.213m (17' 6.75" x 10' 6.5")
- External Width: 5.280m (17' 3.75")
- External Depth: 2.890m (9' 5.75")
- Internal Width (main cabin): 3.592m (11' 9.5")
- Internal Depth (main cabin): 2.692m (8' 10")
- Internal Width (sidestore): 1.456m (4' 9.25")
- Internal Depth (sidestore): 2.692m (8' 10")
- Main Cabin Internal Area (m²): 9.670m²
- Side Store Internal Area (m²): 3.920m²
- Ridge height: 2.458m (8' 0.75")
- Internal eaves height: 2.072m (6' 9.5")

- Roof thickness: 19mm
 - Wall thickness: 34mm
 - Floor thickness: 19mm
 - Single Door walkthrough height: 1.820m (5' 11.75")
 - Single walkthrough width: 0.740m (3' 7.25")
 - Double Door walkthrough height: 1.820m (5' 11.75")
 - Double Door walkthrough width: 1.096m (3' 7.25")
 - Window opening height: 1.371m (4' 6")
 - Window opening width: 0.436m (1' 5.25")
 - Main Roof Component: 140x45mm
 - Please Note: All fixings needed for assembly are supplied.
- All wood is planed, pre-cut (with the exception of trims), and pre notched for quick and easy construction.