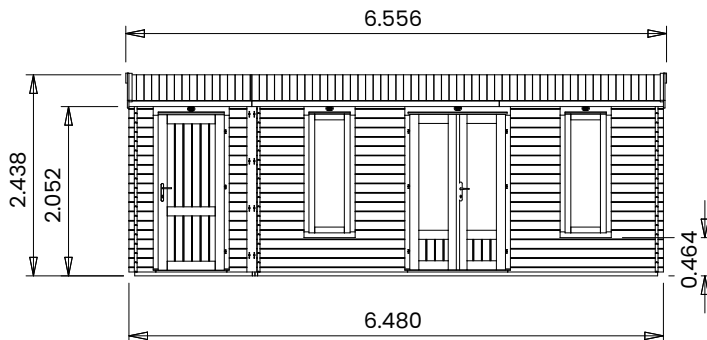
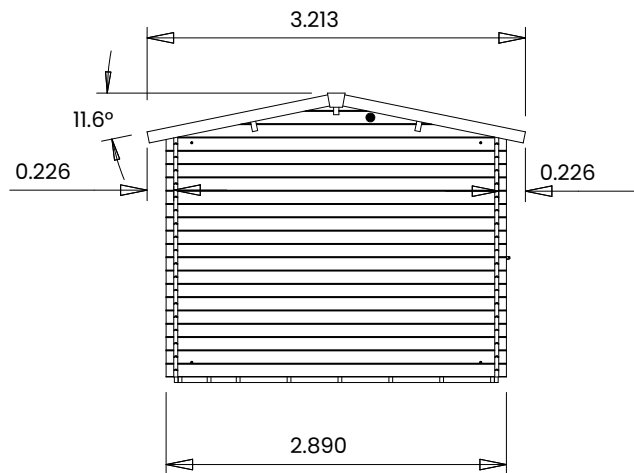
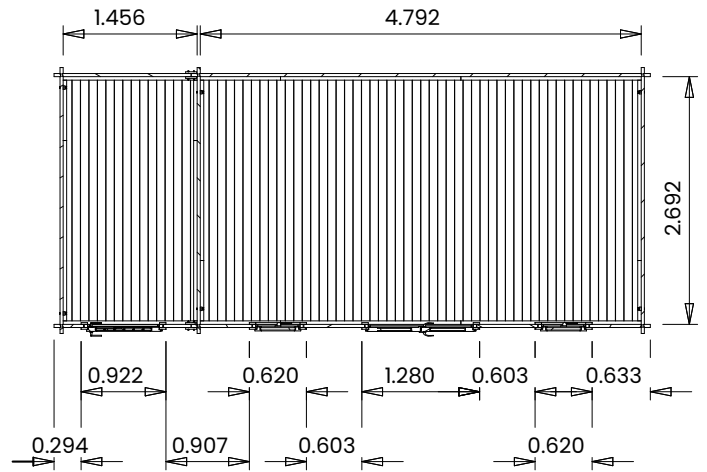


# EvilBob Log Cabin



## Specification

- Overall External Dimensions: 6.556m x 3.213m (21' 6" x 10' 6.5")
- External Width: 6.480m (21' 3")
- External Depth: 2.890m (9' 5.75")
- Internal Width (main cabin): 4.792m (15' 8.75")
- Internal Depth (main cabin): 2.692m (8' 10")
- Internal Width (sidestore): 1.456m (4' 9.25")
- Internal Depth (sidestore): 2.692m (8' 10")
- Main Cabin Internal Area (m<sup>2</sup>): 9.670m<sup>2</sup>
- Side Store Internal Area (m<sup>2</sup>): 3.920m<sup>2</sup>
- Ridge height: 2.458m (8' 0.75")
- Internal eaves height: 2.072m (6' 9.5")
- Roof thickness: 19mm
- Wall thickness: 34mm
- Floor thickness: 19mm
- Single Door walkthrough height: 1.820m (5' 11.75")
- Single walkthrough width: 0.740m (3' 7.25")
- Double Door walkthrough height: 1.820m (5' 11.75")
- Double Door walkthrough width: 1.096m (3' 7.25")
- Window opening height: 1.371m (4' 6")
- Window opening width: 0.436m (1' 5.25")
- Main Roof Component: 140x45mm
- Please Note: All fixings needed for assembly are supplied.

All wood is planed, pre-cut (with the exception of trims), and pre notched for quick and easy construction.