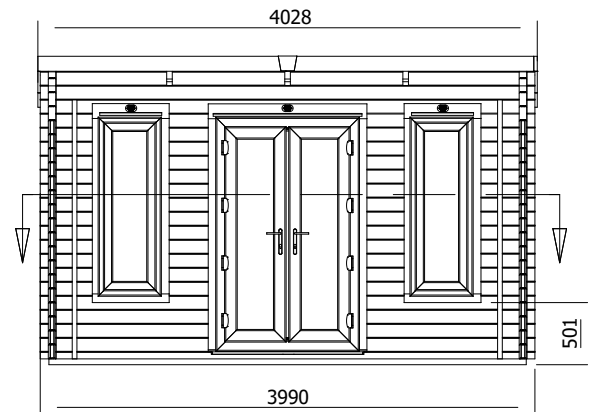
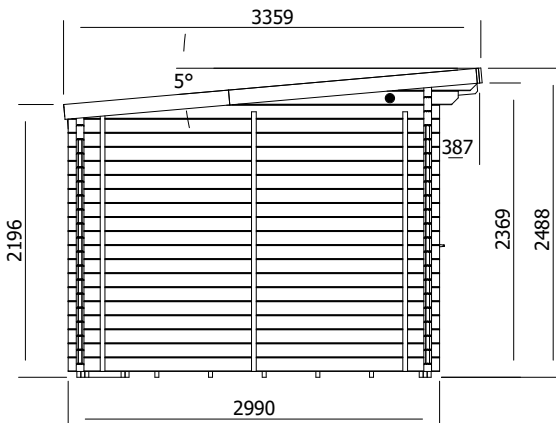
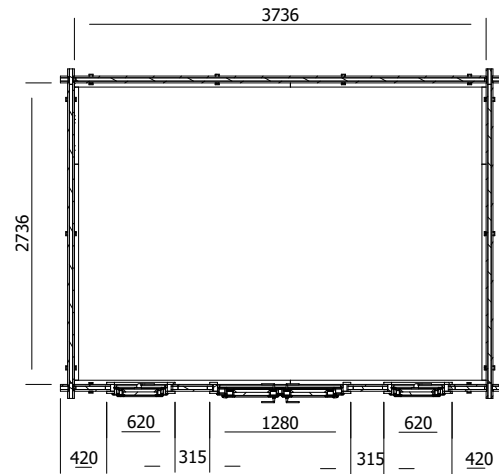


# Terminator Insulated Log Cabin



## Specification

- **Overall External Dimensions:** 4.028m x 3.348m (13' 2.5" x 10' 11.75")
- **External Width:** 3.990m (13' 1")
- **External Depth:** 2.990m (9' 9.75")
- **Internal Width:** 3.736m (12' 3")
- **Internal Depth:** 2.736m (8' 11.75")
- **Internal Area (m<sup>2</sup>):** 10.222m<sup>2</sup>
- **Ridge Height:** 2.503m (8' 2.5")
- **Internal Eaves Height Front (to under the roof boards):** 2.387m (7' 2")
- **Internal Eaves Height Front (to under the roof purlins):** 2.302m (7' 6.75")
- **Internal Eaves Height Back (to under the roof boards):** 2.147m (7' 0.5")
- **Internal Eaves Height Back (to under the roof purlins):** 2.056m (6' 9")

- **Roof Overhang:** 0.365m (1' 2.25")
- **Building Style:** Interlocking Insulated Tongue & Groove Logs
- **Walls:** 100% Slow-Grown Spruce
- **Overall Wall Thickness:** 62mm Insulated Log (equivalent to 140mm thick U-Value)
- **Insulated Roof Thickness:** 60mm. Comprising a sandwich of MR P5 particle board, insulation, and tongue and groove timber.
- **Roof Covering Options:** Roofing Felt Included
- **Insulated Floor Thickness:** 50mm. Comprised of 30mm of insulation sandwiched between two 10mm MR P5 particle boards.
- **Floor Bearers:** Pressure Treated for Longevity
- **Included as Standard:** Plastic Vents, Adjustable Storm Braces, Assembly Instructions and Fixings