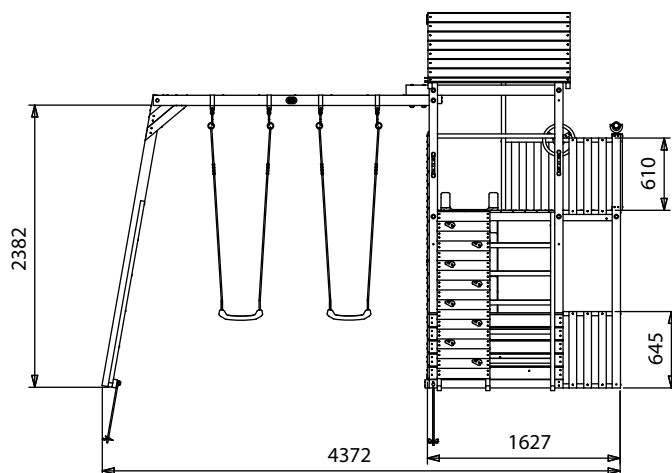
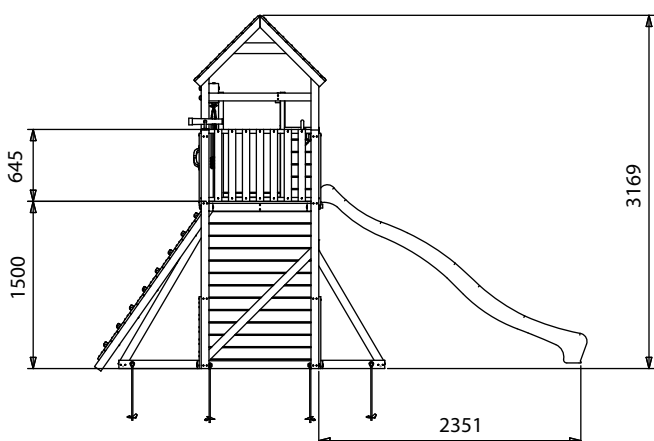
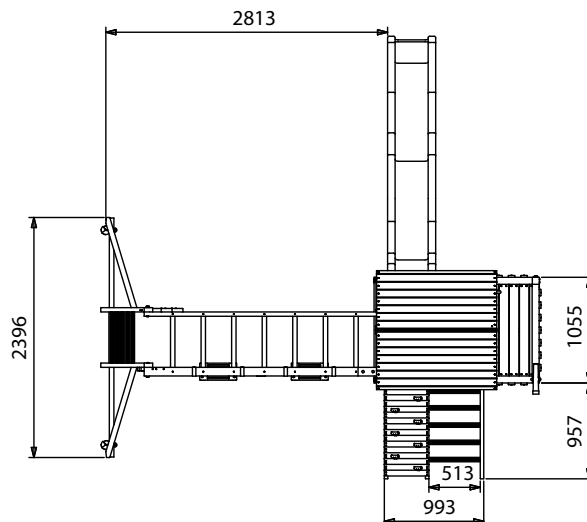


# BalconyFort Max



## Specification

- Please Note: All sizes quoted are nominal
- External Width Including Slide: 4.32m (14' 2")
- External Depth Including Slide: 4.42m (14' 6")
- Overall Height: 3.17m (10' 4")
- Platform Width: 1.62m (5' 3")
- Platform Depth: 0.92m (3' 0")
- Platform Height from Ground: 1.50m (4' 11")
- Number of Children: 6 maximum at all times
- Number of Children on Platform: 2 maximum at all times
- Weight of Children: 50kg Per child
- Suitable Age Range: 3 - 14 Year olds
- Restrictions: 140mm x 45mm
- Main Timber: 70mm x 70mm
- Timber: Pressure Treated
- Independently Tested Safety Standard: EN71
- Safety Ground Anchors: 4 Included
- Safety Ground Anchors Material: Galvised Steel
- Safety Ground Anchors Length: 530
- Swing: 2 Swings
- Slide Construction: 1 Piece of durable plastic
- Climbing Wall: Climbing wall
- Monkey Bars: Yes
- Playhouse / Den: Yes
- Balcony: Yes
- Restrictions: Monkey Bar and Swing not to be used at the same time.