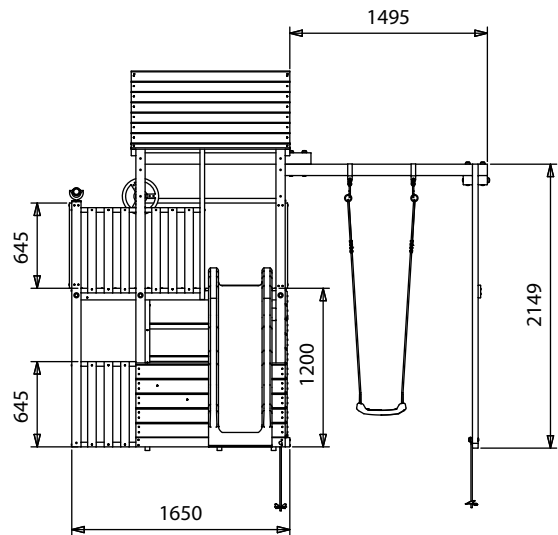
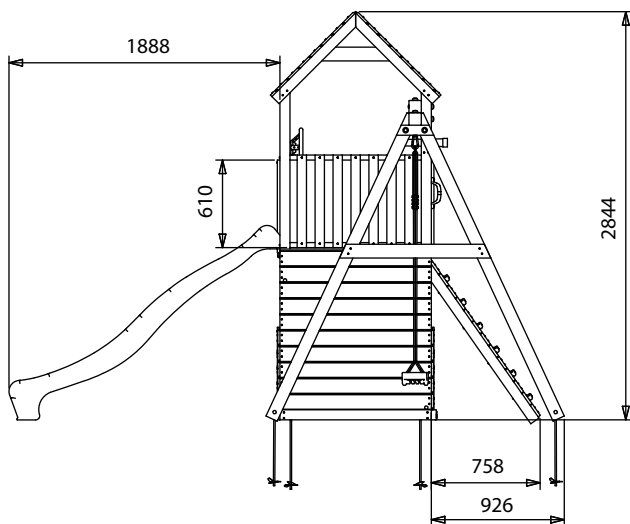
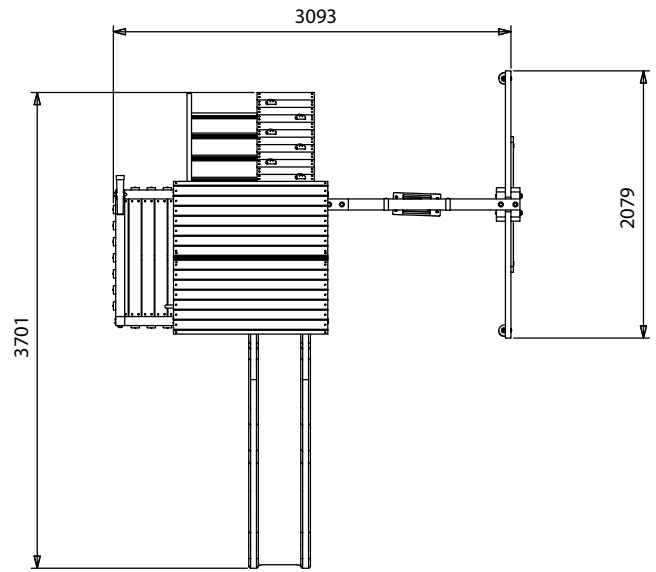


BalconyFort 1 Swing



Specification

- External Width Including Slide: 3.09m (10' 1")
- External Depth Including Slide: 3.70m (12' 1")
- Overall Height: 2.84m (9' 3")
- Platform Width: 1.05m (3' 5")
- Platform Depth: 1.61m (5' 3")
- Platform Height from Ground: 1.20m (3' 11")
- Number of Children: 4 maximum at all times
- Number of Children on Platform: 2 maximum at all times
- Weight of Children: 50kg Per child
- Suitable Age Range: 3 - 14 Year olds
- Main Timber: 70mm x 70mm
- Timber: Pressure Treated
- Independently Tested Safety Standard: EN71
- Safety Ground Anchors: 4 Included
- Safety Ground Anchors Material: Galvised Steel
- Safety Ground Anchors Length: 530
- Swing: 1 Swing
- Slide Construction: 1 Piece of durable plastic
- Climbing Wall: Climbing ladder and climbing wall
- Monkey Bars: Yes
- Playhouse / Den: Yes
- Balcony: Yes