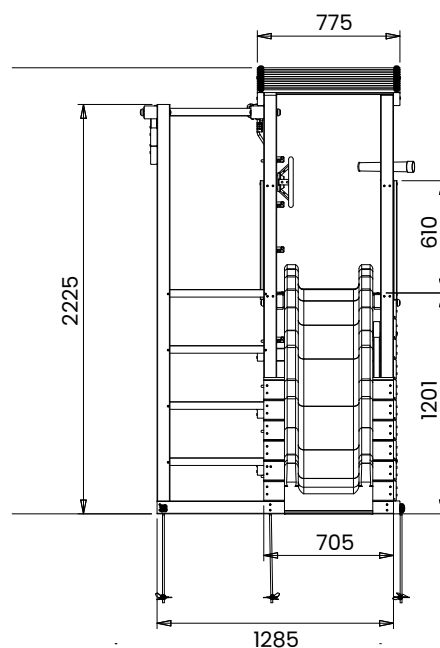
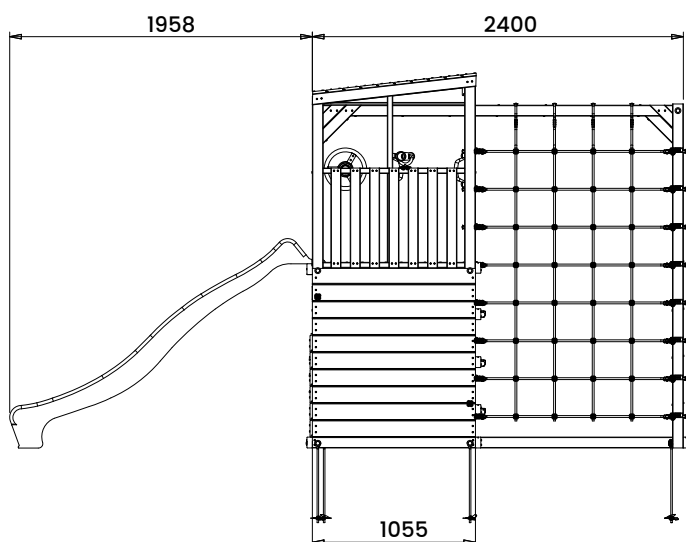
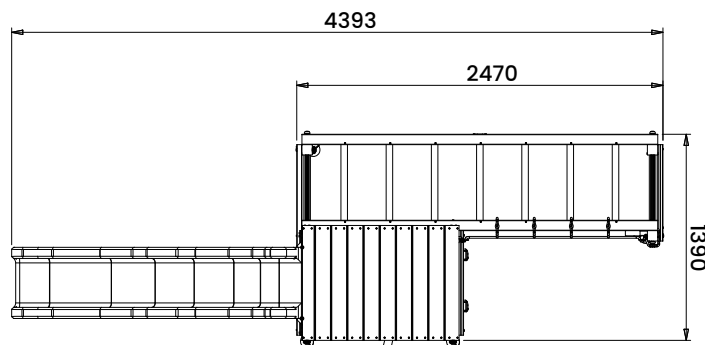


# ChallengeFort Climbing Tower



## Specification

- External Width Including Slide: 1.39m (4' 6")
- External Depth Including Slide: 4.39m (14' 4")
- Overall Height: 2.43m (7' 11")
- Platform Width: 0.70m (2' 3")
- Platform Depth: 1.05m (3' 5")
- Platform Height from Ground: 1.20m (3' 11")
- Number of Children: 2 maximum at all times
- Number of Children on Platform: 2 maximum at all times
- Weight of Children: 50kg Per child
- Suitable Age Range: 3 - 14 Year olds
- Main Timber: 70mm x 70mm
- Timber: Pressure Treated
- Independently Tested Safety Standard: EN71
- Safety Ground Anchors: 4 Included
- Safety Ground Anchors Material: Galvanised Steel
- Safety Ground Anchors Length: 530
- Slide Construction: 1 Piece of durable plastic
- Playhouse / Den: Yes
- Climbing Wall: Climbing Ladder
- Climbing Net: Yes