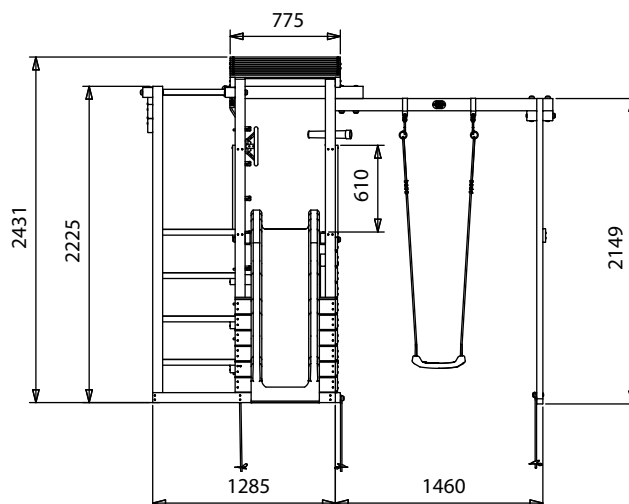
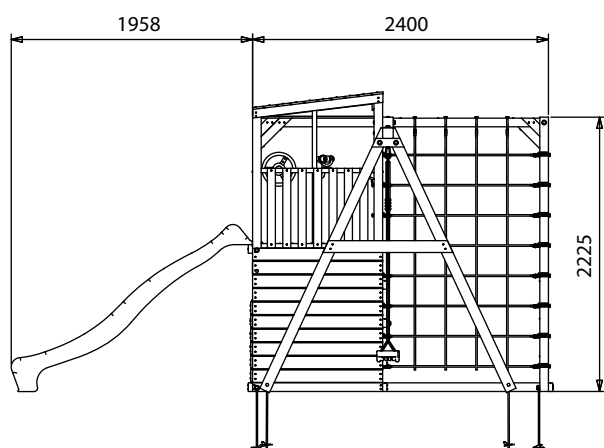
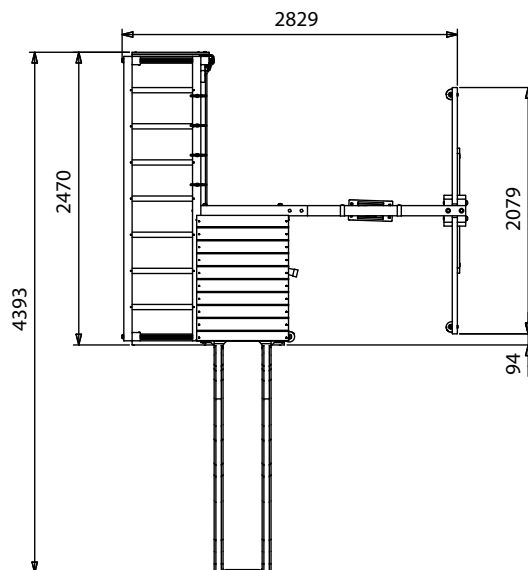


# ChallengeFort 1 Swing



## Specification

- External Width Including Slide: 2.89m (9' 5")
- External Depth Including Slide: 4.40m (14' 5")
- Overall Height: 2.43m (7' 11")
- Platform Width: 1.07m (3' 6")
- Platform Depth: 0.70m (2' 3")
- Number of Children: 6 maximum at all times
- Number of Children on Platform: 2 maximum at all times
- Weight of Children: 50kg Per child
- Suitable Age Range: 3 - 14 Year olds
- Restrictions: 140mm x 45mm
- Main Timber: 70mm x 70mm
- Timber: Pressure Treated
- Independently Tested Safety Standard: EN71
- Safety Ground Anchors: 4 Included
- Safety Ground Anchors Material: Galvised Steel
- Safety Ground Anchors Length: 530
- Swing: 1 Swing
- Slide Construction: 1 Piece of durable plastic
- Climbing Wall: Climbing ladder and climbing wall
- Monkey Bars: Yes
- Playhouse / Den: No
- Balcony: No
- Restrictions: Monkey Bar and Swing must not be used at the same time. Monkey Bar and Climbing Net must not be used at the same time.