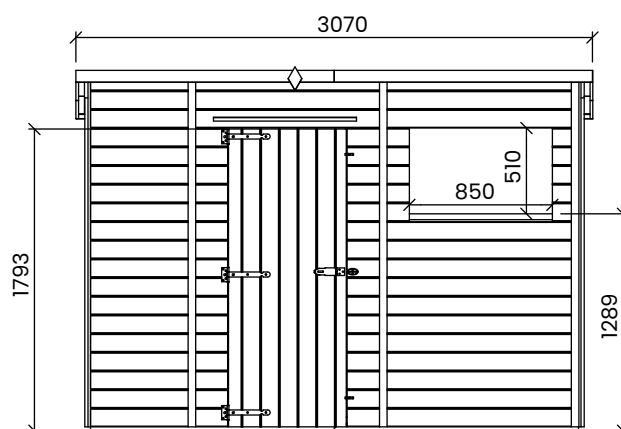
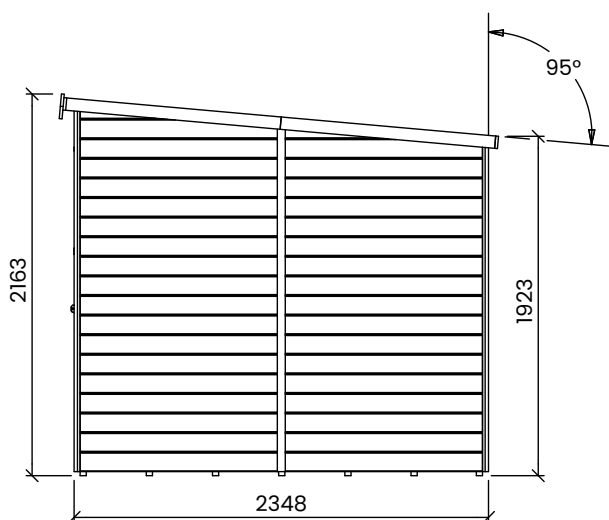
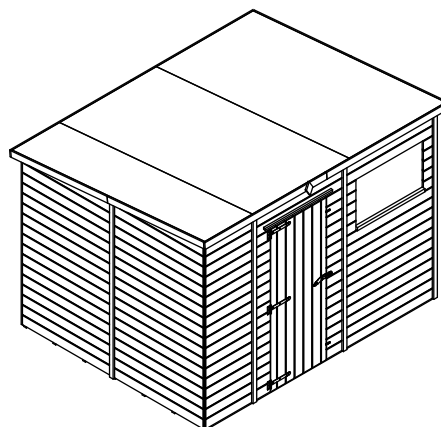


Dad's Pent Shed III



Specification

- Overall External Dimensions: 3.07m x 2.47m (10' x 8'1")
- External Width: 2.97m (9' 8")
- External Depth: 2.35m (7' 8")
- Internal Width: 2.83m (9' 3")
- Internal Depth: 2.21m (7' 3")
- Internal Area (m²): 6.25m²
- Ridge Height: 2.15m (7' 0")
- Internal Eaves Height (Front): 2.08m (6' 9")
- Internal Eaves Height (Back): 1.88m (6' 2")
- Wall Thickness: 15mm Shiplap
- Framing: 35mm x 35mm
- Floor Bearers: Pressure Treated

- Roof & Floor: 10mm MR P5
- Roof Purlins: 35mm x 70mm
- Glazing Material: 4mm Toughened Glass
- Door Height (Walkthrough Height): 1.70m
- Door Width (Walkthrough Width): 0.69m
- Door Locking System: Zinc plated Hasp & Clasp
- Approx. Assembly Time: 1-2 Days*

*This is an approximate time only, based on 2 people. Assembly time may vary depending on season/weather conditions, foundation type, ability of those constructing, etc