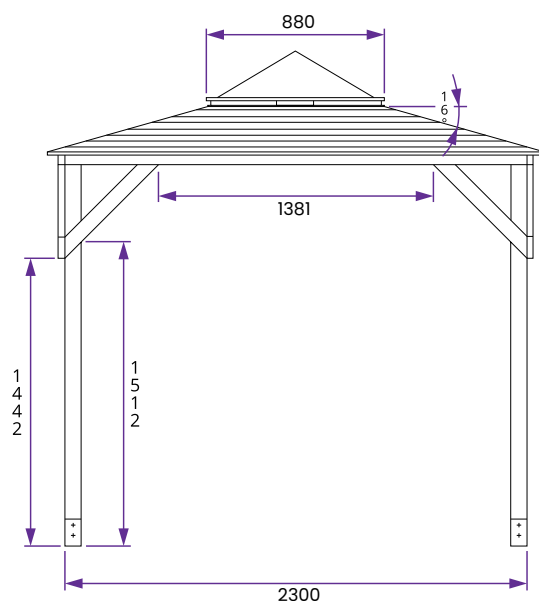
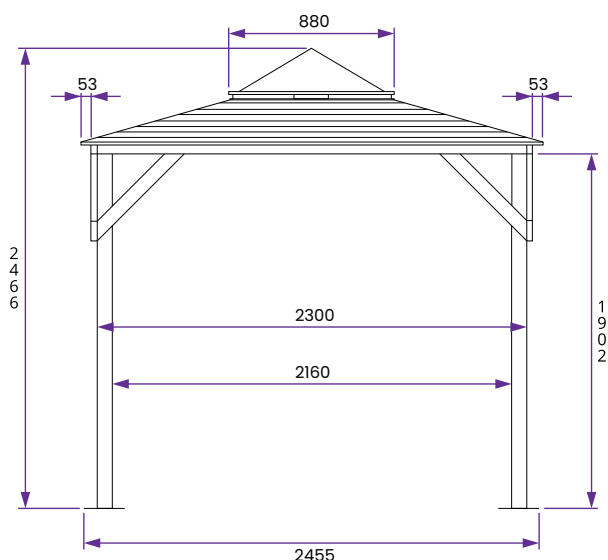
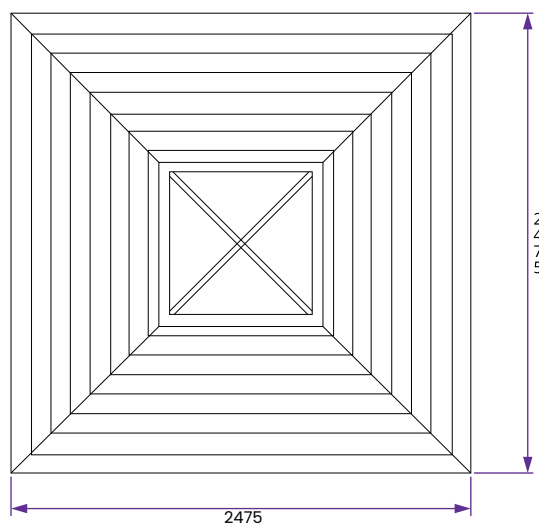


# Erin Gazebo



## Specification

- **Overall External Dimensions:** 2.47m x 2.47m (8' 1" x 8' 1")
- **External Width:** 2.30m (7' 6")
- **External Depth:** 2.30m (7' 6")
- **Internal Width (Post):** 2.16m (7' 1")
- **Internal Depth (Post):** 2.16m (7' 1")
- **Overall Height:** 2.46m (8' 0")
- **Internal Eaves Height:** 1.94m (6' 4")
- **Walkthrough Height:** 1.90m (6' 2")
- **Timber:** Spruce
- **Uprights:** 70mm x 70mm
- **Roof:** 15mm Shiplap Cladding

- **Foot Pad:** Powder Coated Steel
- **Approx. Assembly Time:** 1 - 2 Days\*  
\*This is an approximate time only, based on 2 people. Assembly time may vary depending on season/weather conditions, foundation type, ability of those constructing, etc
- **Guarantee:** 10 Years on Pressure Treated Timber against Rot and Insect Infestation
- **Please Note:** All fixings needed for assembly are supplied
- **Perspex Dome:** 880mm x 880mm

Image shows base product as an example and excludes any wall configurations.