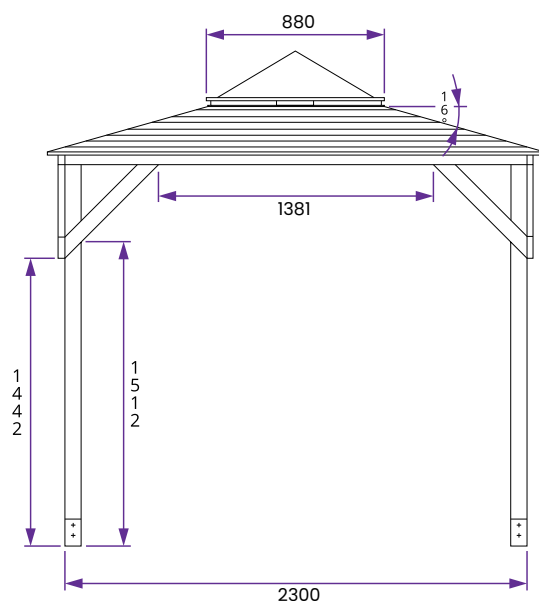
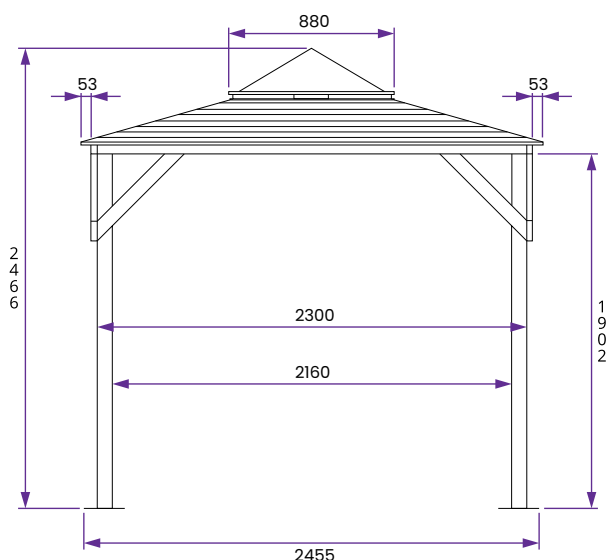
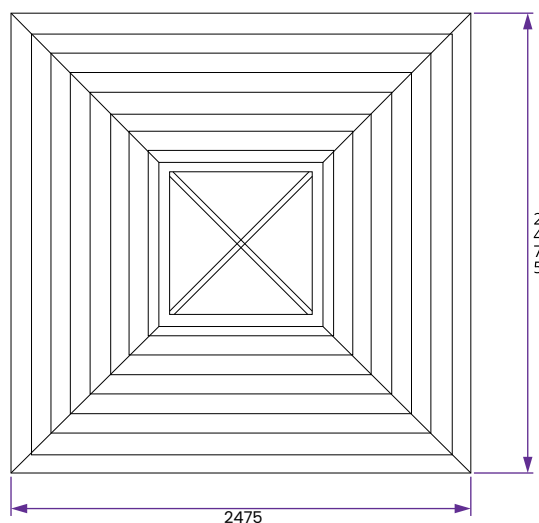


Erin Gazebo



Specification

- Overall External Dimensions: 2.47m x 2.47m (8' 1" x 8' 1")
- External Width: 2.30m (7' 6")
- External Depth: 2.30m (7' 6")
- Internal Width (Post): 2.16m (7' 1")
- Internal Depth (Post): 2.16m (7' 1")
- Overall Height: 2.46m (8' 0")
- Internal Eaves Height: 1.94m (6' 4")
- Walkthrough Height: 1.90m (6' 2")
- Timber: Spruce
- Uprights: 70mm x 70mm
- Roof: 15mm Shiplap Cladding

- Foot Pad: Powder Coated Steel
- Approx. Assembly Time: 1 - 2 Days*
- *This is an approximate time only, based on 2 people. Assembly time may vary depending on season/weather conditions, foundation type, ability of those constructing, etc
- Guarantee: 10 Years on Pressure Treated Timber against Rot and Insect Infestation
- Please Note: All fixings needed for assembly are supplied
- Perspex Dome: 880mm x 880mm

Image shows base product as an example and excludes any wall configurations.