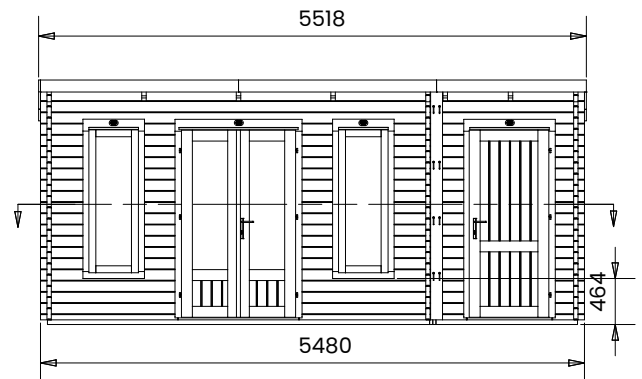
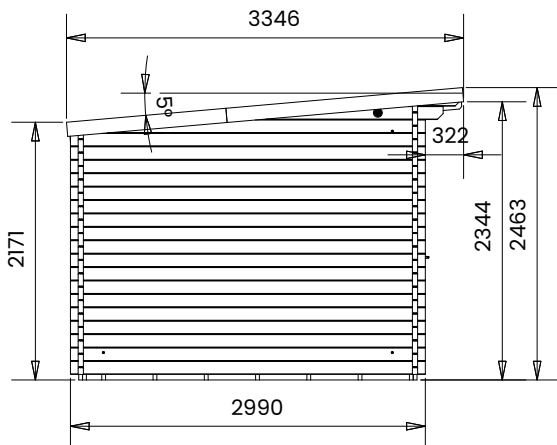
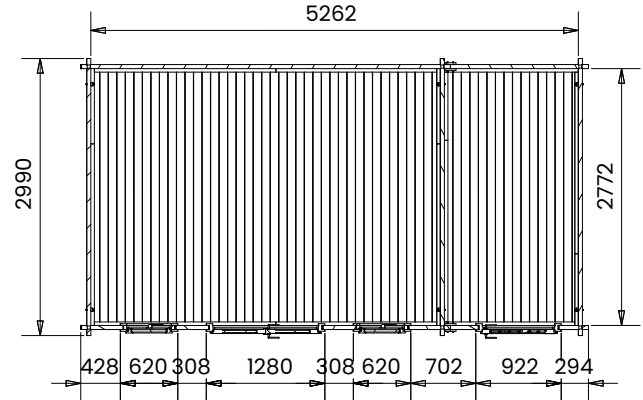


EvilAmy Multi Room Log Cabin



Specification

- Overall External Dimensions: 5.52m x 3.35m (18' 1" x 10' 11")
- External Depth: 2.99m (9' 9")
- External Width: 5.48m (17' 11")
- Main Room Internal Depth: 2.77m (9' 1")
- Main Room Internal Width: 3.77m (12' 4")
- Main Room Internal Area (m²): 10.44
- Main Door Height (Walkthrough Height): 1.82m (5' 11")
- Main Door Width (Walkthrough Width): 1.11m (3' 7")
- Store Room Internal Width: 1.45m (4' 9")
- Store Room Internal Depth: 2.77m (9' 1")
- Store Room Internal Area (m²): 4.02
- Side Door Height (Walkthrough Height): 1.82m (5' 11")
- Side Door Width (Walkthrough Width): 0.74m (2' 5")
- Ridge Height: 2.46m (8' 0")

- Internal Eaves Height Front (to under the roof boards): 2.32m (7' 7")
- Internal Eaves Height Front (to under the roof purlins): 2.18m (7' 1")
- Internal Eaves Height Back (to under the roof boards): 2.07m (6' 9")
- Internal Eaves Height Back (to under the roof purlins): 1.93m (6' 3")
- Roof Overhang: 0.32m (1' 0")
- Roof Thickness: 19mm Tongue & Groove
- Roof Covering Options: None or Felt
- Approx. DIY Assembly Time: 1 - 2 Days. This time is an approximation, based on two people building the basic product with no added extras. Assembly time may vary with additional items such as roof shingles, or external circumstances like the weather