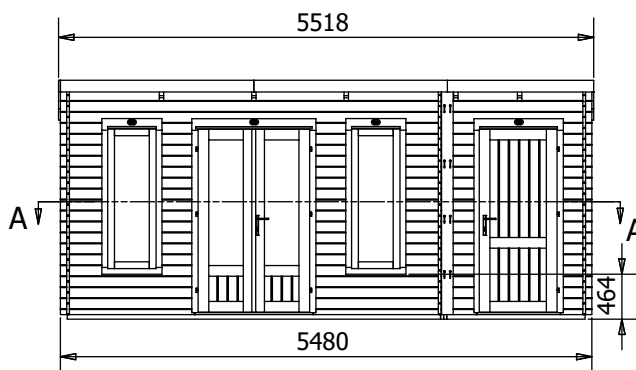
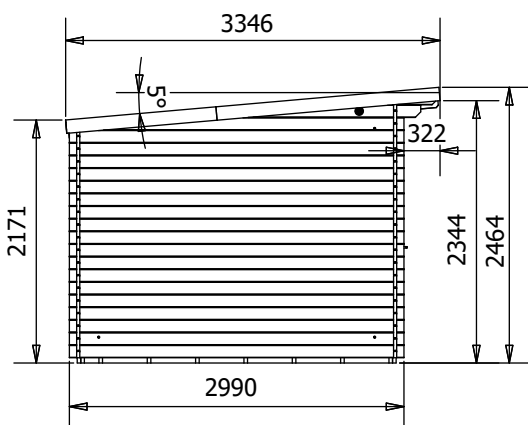
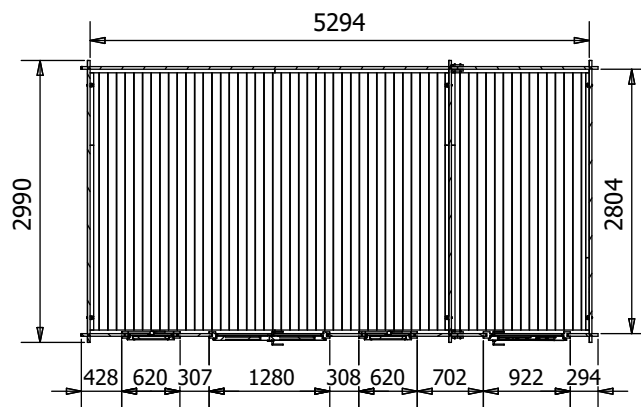




# EvilAmy Log Cabin



## Specification

- Overall External Dimensions: 5.52m x 3.35m (18' 1" x 10' 11")
  - External Width: 5.48m (17' 11")
  - External Depth: 2.99m (9' 9")
  - Main Room Internal Depth: 3.77m (12' 4")
  - Main Room Internal Width: 2.77m (9' 1")
  - Main Room Internal Area (m<sup>2</sup>): 10.44
  - Main Door Height (Walkthrough Height): 1.82m (5' 11")
  - Main Door Width (Walkthrough Width): 1.11m (3' 7")
  - Store Room Internal Width: 1.45m (4' 9")
  - Store Room Internal Depth: 2.77m (9' 1")
  - Store Room Internal Area (m<sup>2</sup>): 4.02
  - Side Door Height (Walkthrough Height): 1.82m (5' 11")
  - Side Door Width (Walkthrough Width): 0.74m (2' 5")
  - Ridge Height: 2.46m (8' 0")
  - Door Height (Walkthrough Height): 1.82m (5' 11")
  - Door Width (Walkthrough Width): 1.11m (3' 7")
  - Door Locking System: Industry Leading 4 Point Lock - 2 Cams, Latch & Hook Bolt
  - Window Locking System: Multi Point with Mushroom Headed Espagnolettes
  - Window Opening Size: 0.43m x 1.37m (1' 5" x 4' 5")
  - Glazing Options: 24mm Double Glazing as Standard!
  - Ventilation: 2 Plastic Vents Included
  - Approx. Assembly Time: 2 Days\*
- \*This is an approximate time only, based on 2 people. Assembly time may vary depending on season/weather conditions, foundation type, ability of those constructing, etc