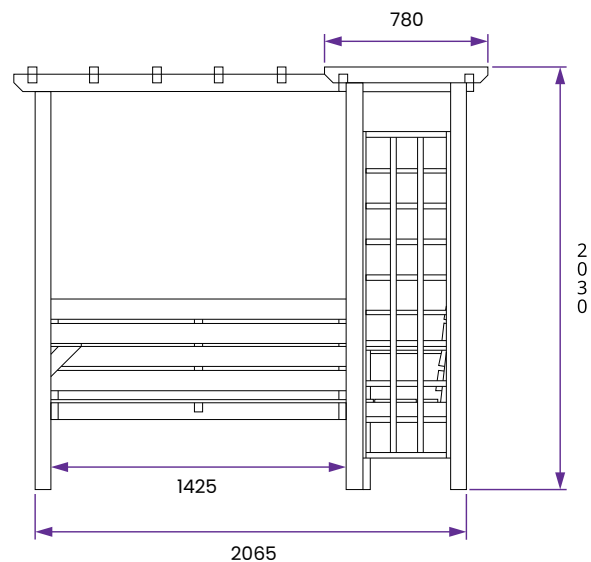
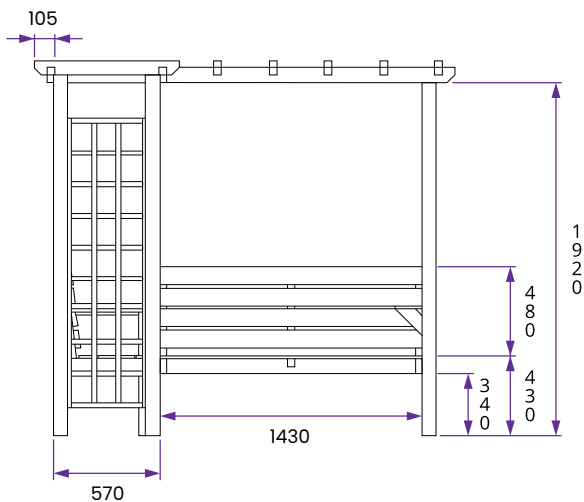
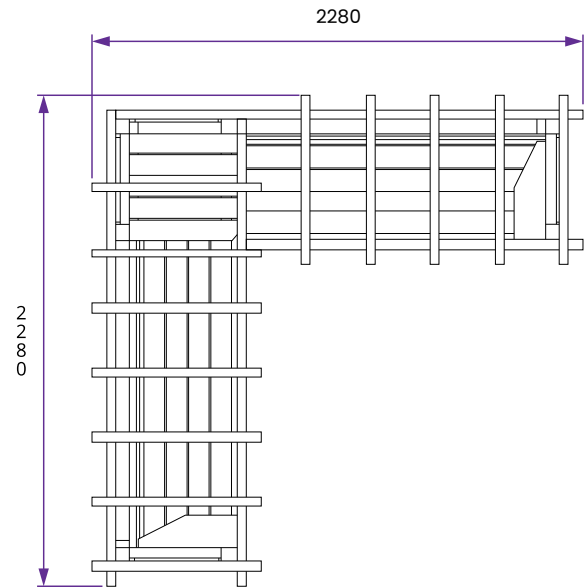


Gerlinde Corner Arbour



Specification

- External Width: 2.30m (7' 6")
- External Depth: 2.30m (7' 6")
- Internal Width: 1.93m (6' 3")
- Internal Depth: 1.93m (6' 3")
- Ridge Height: 2.03m (6' 7")
- Freestanding: Designed to support itself
- Timber: Slow-Grown Spruce
- Guarantee: 10 Years on Pressure Treated Timber against Rot and Insect Infestation

- Approx. Assembly Time: 1 Day*

*This is an approximate time only, based on 2 people. Assembly time may vary depending on season/weather conditions, foundation type, ability of those constructing, etc

- Please Note: All fixings needed for assembly are supplied