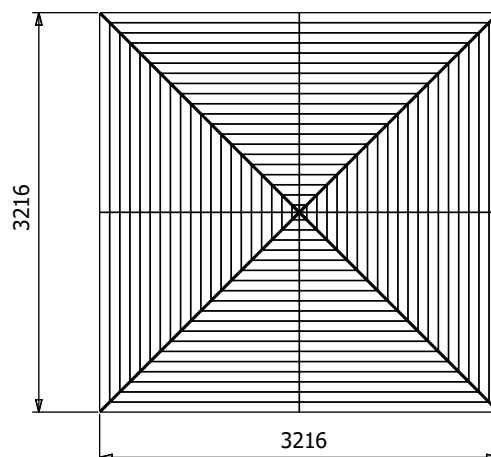
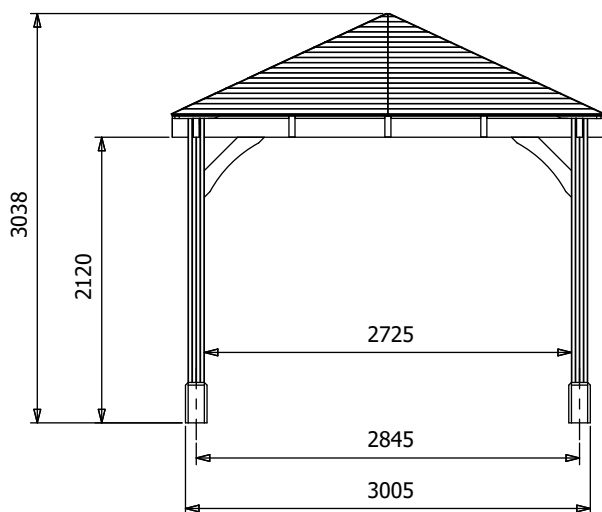
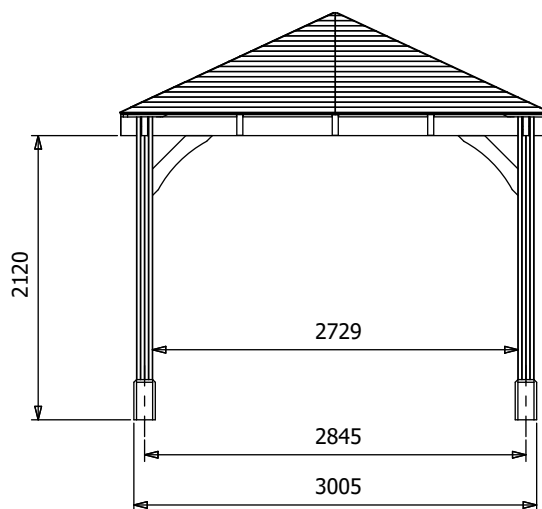


leviathan Single Timber Framed Shallow Carport



Specification

- External Width: 3.22m (10' 6")
- External Depth: 3.22m (10' 6")
- Internal Width: 2.73m (8' 11")
- Internal Depth: 2.73m (8' 11")
- Ridge Height: 3.04m (9' 11")
- Internal Eaves Height: 2.12m (6' 11")
- Timber: Spruce
- Uprights: 120mm x 120mm
- Roof: 19mm Tongue & Groove Boards
- Roof Covering Options: None, Felt or Shingles
- Guarantee: 10 Years on Pressure Treated Timber against Rot and Insect Infestation

- **Please Note:** All fixings needed for assembly are supplied
 - **Approx. Assembly Time:** 1 Day*
- *This is an approximate time only, based on 2 people. Assembly time may vary depending on season/weather conditions, foundation type, ability of those constructing, etc

Image shows base product as an example and excludes any wall configurations.