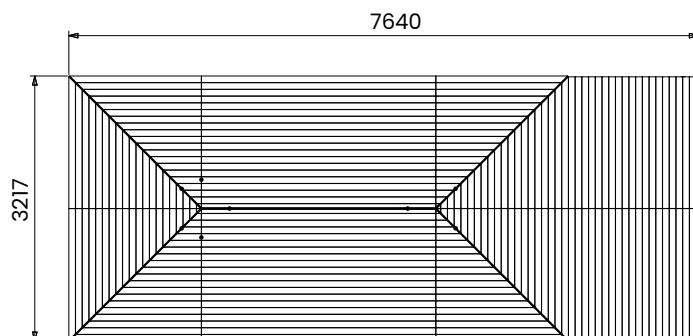
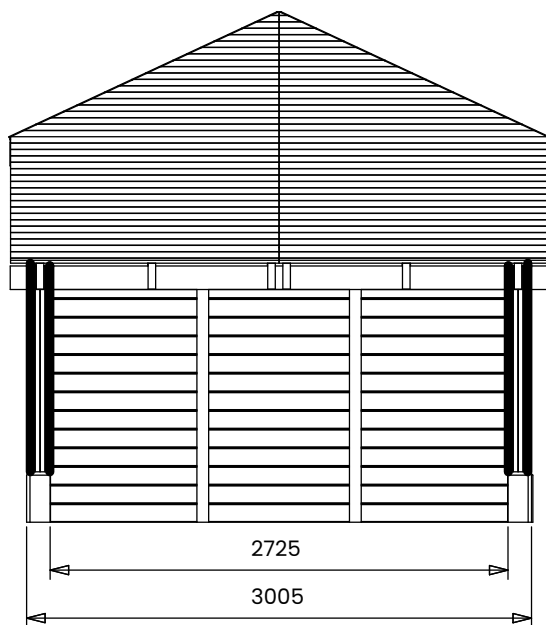
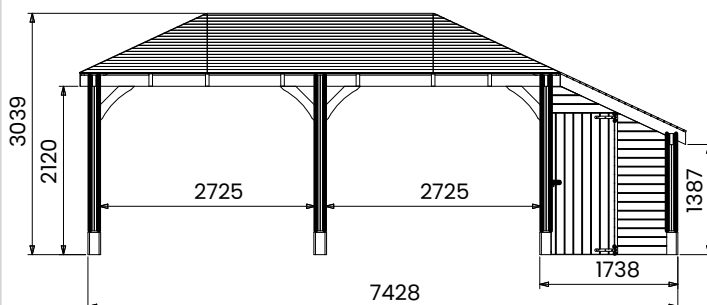


Leviathan SideShed Gazebo



Specification

• Please Note:

• Overall External Dimensions:

- External Width: 7.43m (24' 4")
- External Depth: 3.01m (9' 10")
- Overall Height 3.04m (9' 11")
- Internal Width Gazebo: 5.57m (18' 3")
- Internal Depth Gazebo: 2.73m (8' 11")
- Internal Width Side Store: 1.51m (4' 11")
- Internal Depth Side Store: 2.79m (9' 1")
- Eaves Height: 2.12m (6' 11.5")
- Walls: SideShed - 15mm Shiplap

• SideShed Floor Thickness: 45mm

- Roof: 19mm Shiplap Boards
- Roof Covering Options: None, Felt or Shingles
- Guarantee: 10 Years on Pressure Treated Timber against Rot and Insect Infestation
- Please Note: All fixings needed for assembly are supplied
- Approx. Assembly Time: 1-2 Days*

*This is an approximate time only, based on 2 people. Assembly time may vary depending on season/weather conditions, foundation type, ability of those constructing, etc