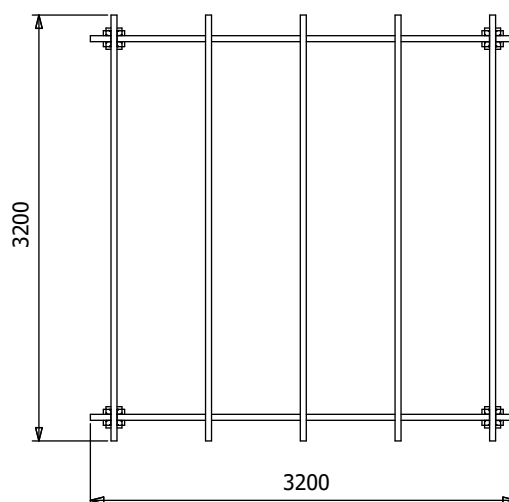
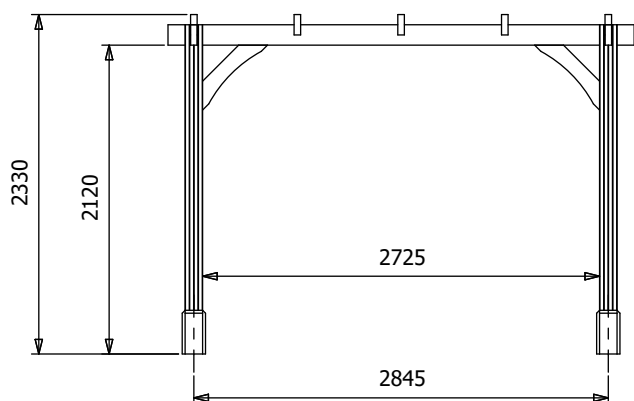
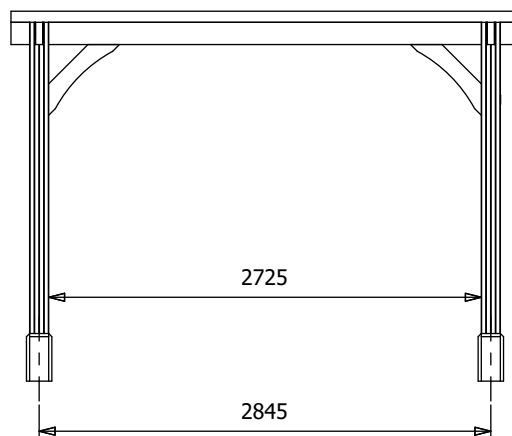


Leviathan Solid Wall Pergola



Specification

- **Overall External Dimensions:** 3.20m x 3.20m (10' 5" x 10' 5")
- **External Width:** 3.03m (9' 11")
- **External Depth:** 3.03m (9' 11")
- **Overall Height:** 2.33m (7' 7")
- **Timber:** Spruce
- **Uprights:** 120mm x 120mm
- **Guarantee:** 10 Years on Pressure Treated Timber against Rot and Insect Infestation

- **Please Note:** All fixings needed for assembly are supplied
- **Approx. Assembly Time:** 1 Day*
*This is an approximate time only, based on 2 people. Assembly time may vary depending on season/weather conditions, foundation type, ability of those constructing, etc
- **Please Note:** All wood is pre-cut (with the exception of trims) for quick and easy construction.

Image shows base product as an example and excludes any wall configurations