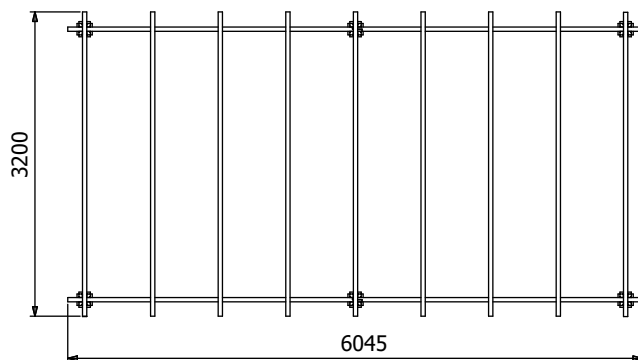
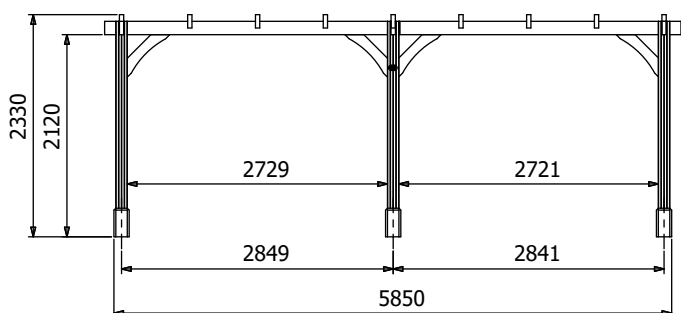
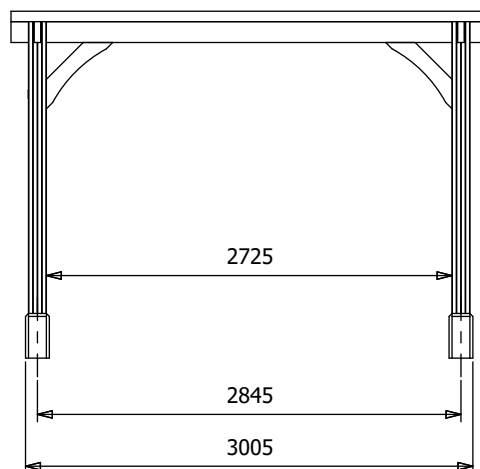


Leviathan Solid Wall Pergola



Specification

- **Overall External Dimensions:** 6.05m x 3.20m (19' 10" x 10' 6")
- **External Width:** 6.04m (19' 9")
- **External Depth:** 3.20m (10' 5")
- **Ridge Height:** 2.33m (7' 7")
- **Eaves Height:** 2.12m (6' 11")
- **Timber:** Spruce
- **Uprights:** 120mm x 120mm

- **Guarantee:** 10 Years on Pressure Treated Timber against Rot and Insect Infestation
 - **Please Note:** All fixings needed for assembly are supplied
 - **Approx. Assembly Time:** 1 Day*
- *This is an approximate time only, based on 2 people. Assembly time may vary depending on season/weather conditions, foundation type, ability of those constructing, etc

Image shows base product as an example and excludes any wall configurations