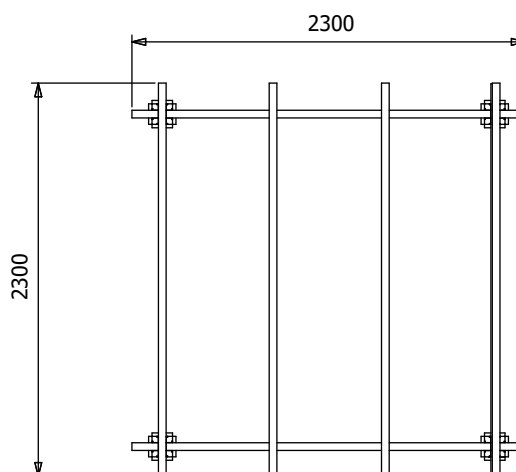
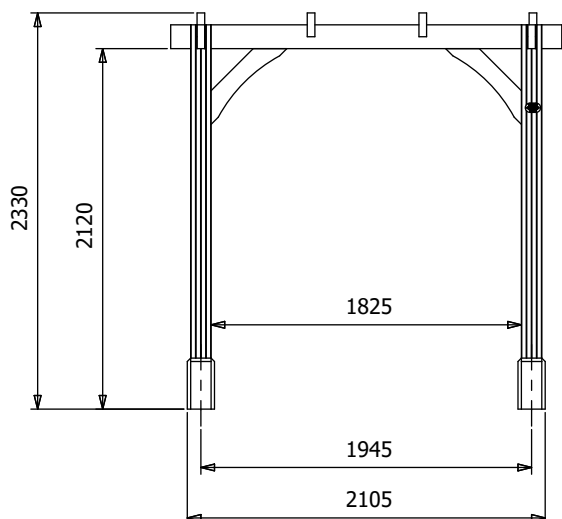
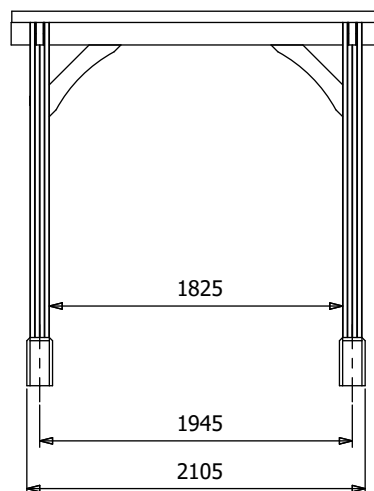


Leviathan Solid Wall Pergola



Specification

- **Please Note:** All sizes quoted are nominal
- **Overall External Dimensions:** 2.30m x 2.30m (7' 6" x 7' 6")
- **External Width:** 2.13m (6' 11")
- **External Depth:** 2.13m (6' 11")
- **Ridge Height:** 2.33m (7' 7")
- **Timber:** Pressure Treated Spruce
- **Uprights:** 120mm x 120mm
- **Guarantee:** 10 Years on Pressure Treated Timber against Rot and Insect Infestation

- **Please Note:** All fixings needed for assembly are supplied
- **Approx. Assembly Time:** 1 Day*
- *This is an approximate time only, based on 2 people. Assembly time may vary depending on season/weather conditions, foundation type, ability of those constructing, etc
- **Please Note:** All wood is pre-cut (with the exception of trims) for quick and easy construction.

Image shows base product as an example and excludes any wall configurations.