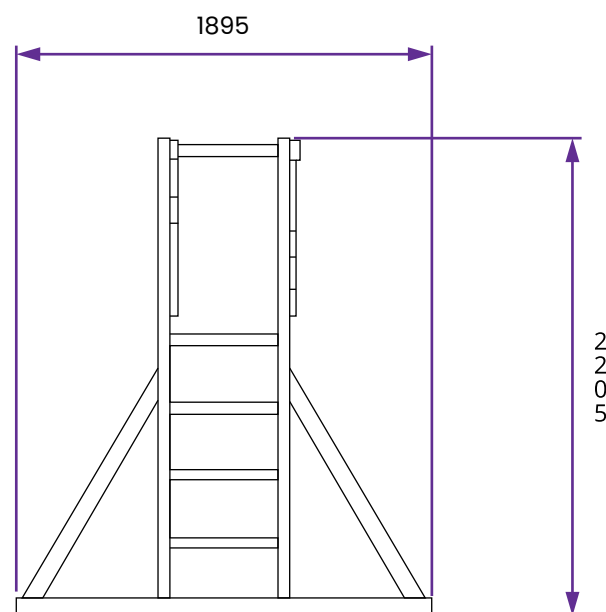
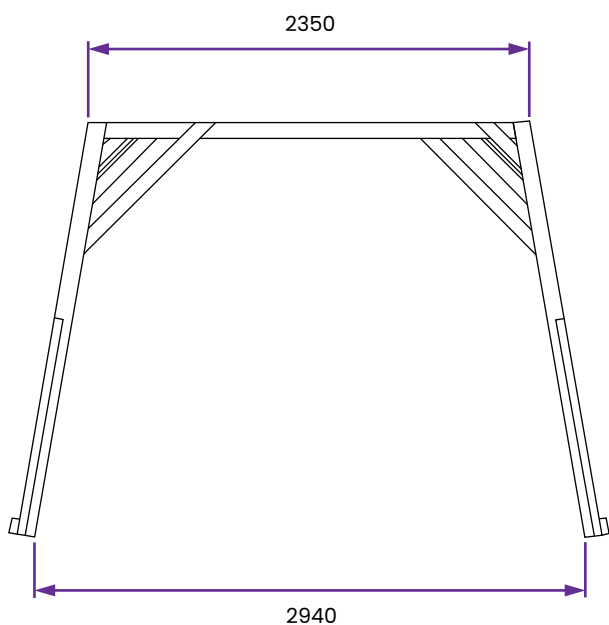
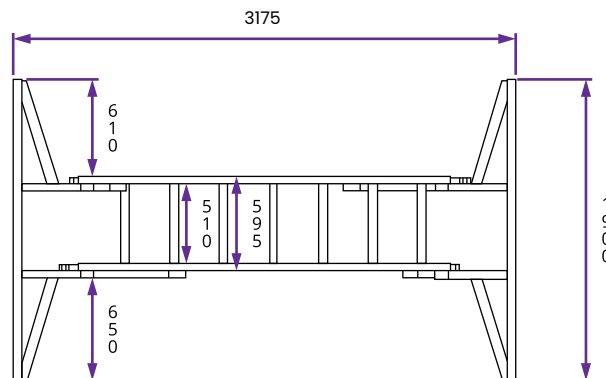


Monkey Bars



Specification

- External Width: 3.16m (10' 4")
- External Depth: 2.40m (7' 10")
- Overall Height: 2.16m (7' 1")
- Number of Children: 1 Maximum at one time
- Weight of Children: 50kg Maximum
- Suitable Age Range: 3 - 14 Years Old
- Main Timber: 70mm x 70mm
- Timber: Pressure Treated
- Independently Tested Safety Standard: EN71

- Guarantee: 10 Years on Pressure Treated Timber against Rot and Insect Infestation
- Safety Ground Anchors: 4 included
- Safety Ground Anchor Material: Galvanised Steel
- Safety Ground Anchor Length: 530mm
- Monkey Bars: Yes
- Ladder: Yes
- Screws and Fixings: Included