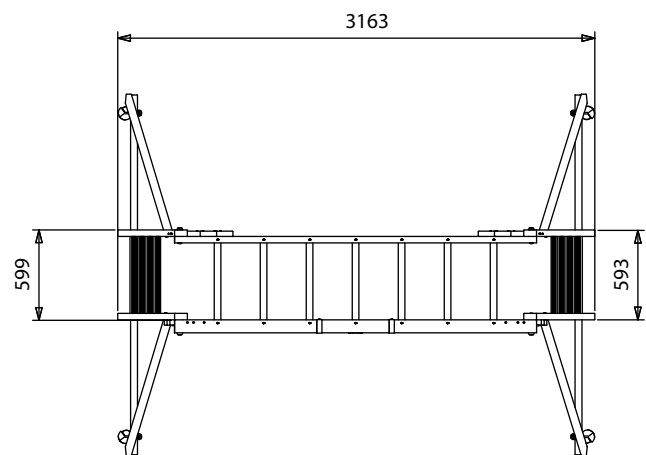
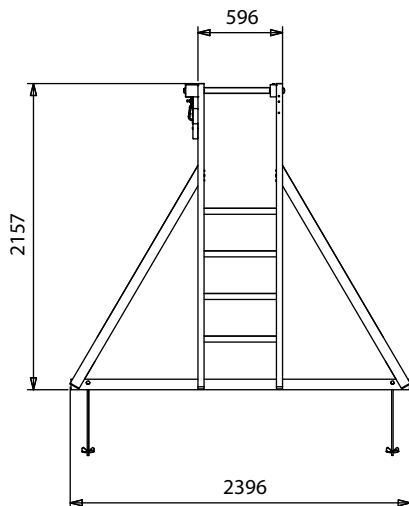
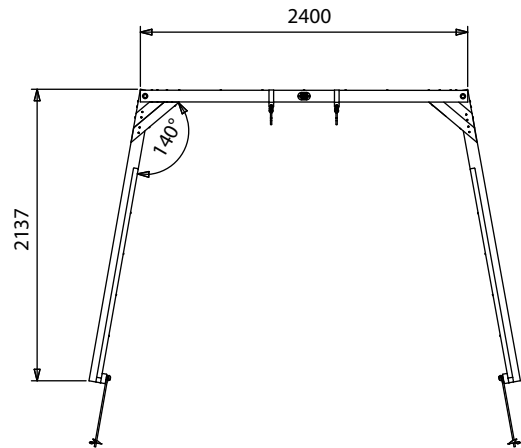


Monkey Bars 1 Swing



Specification

- External Width Including Slide: 3.16m (10' 4")
- External Depth Including Slide: 2.40m (7' 10")
- Overall Height: 2.16m (7' 1")
- Monkey Bar Width: 0.51m (1' 8")
- Platform Depth: 5.76m (18' 10.75")
- Number of Children: 1
- Weight of Children: 50kg
- Suitable Age Range: 3 - 14 years old
- Main Timber: 70mm X 70mm
- Timber: Pressure Treated
- Independently Tested Safety Standard: EN71
- Safety Ground Anchors: 4
- Safety Ground Anchors Material: Galvised Steel
- Safety Ground Anchors Length: 530mm
- Swing: 1 swing included
- Wrap Around Safety Swing Hooks: 2
- Restrictions: Monkey Bar and swing not to be used at the same time