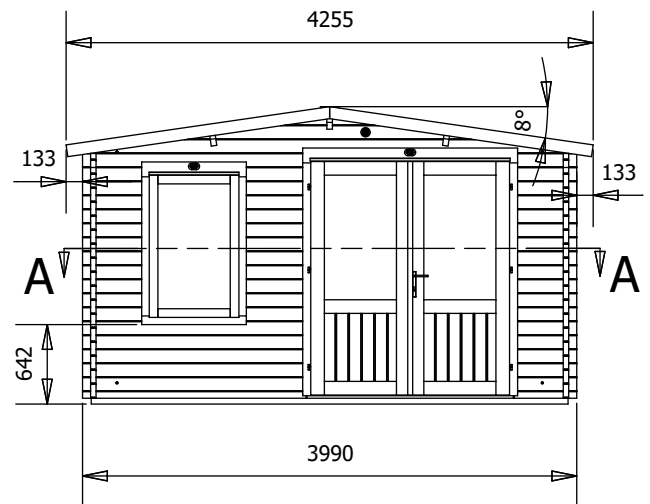
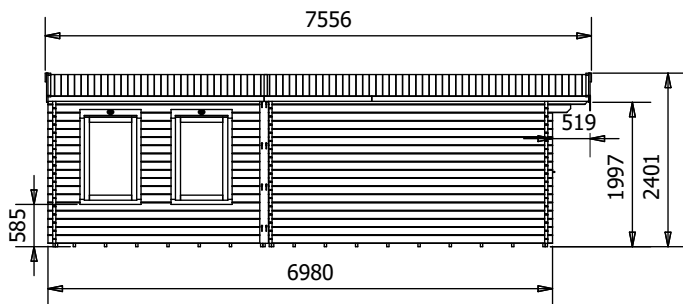
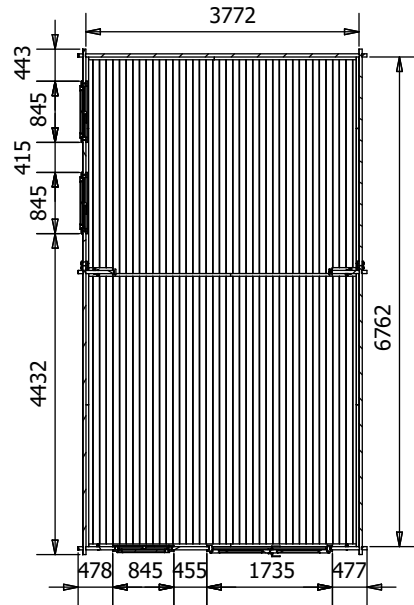




Rhine Log Cabin



Specification

- External Width: 3.99m (13' 1")
- External Depth: 6.98m (22' 10")
- Internal Width: 3.77m (12' 4")
- Internal Depth: 6.76m (22' 2")
- Internal Area (m²): 25.49m²
- Ridge Height: 2.38m (7' 9")
- Internal Eaves Height: 2.02m (6' 7")
- Roof & Floor Thickness: 19mm
- Floor Bearers: Pressure Treated
- Wall U-Value (W/m²k): 1.93 W/m²K

- Door Height (Walkthrough Height): 1.82m
- Door Width (Walkthrough Width): 1.55m
- Door Locking System: Industry Leading 4 Point Lock - 2 Cams, Latch & Hook Bolt
- Window Locking System: Multi Point with Mushroom Headed Espagnolettes
- Window Opening Size: 0.66m x 1.08m
- Glazing Options: 24mm Double Glazing as Standard!
- Ventilation: 2 Plastic Vents Included
- Approx. Assembly Time: 2 Days*

*This is an approximate time only, based on 2 people. Assembly time may vary depending on season/weather conditions, foundation type, ability of those constructing, etc