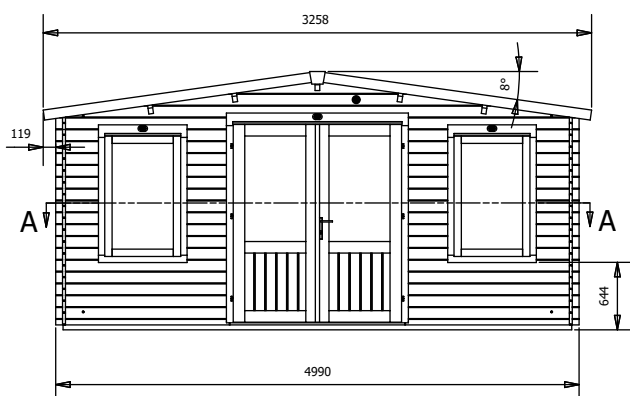
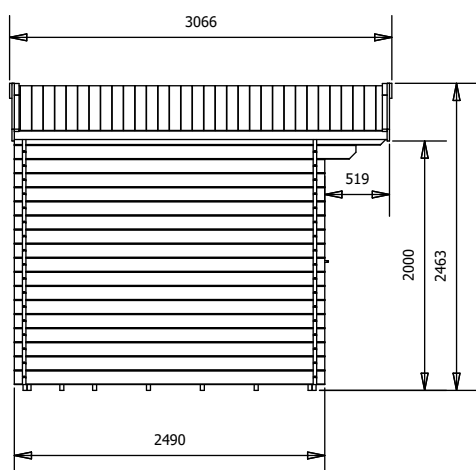
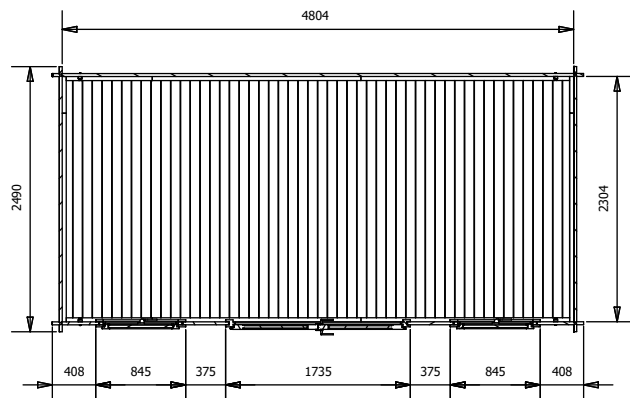


Severn Log Cabin



Specification

- Overall External Dimensions: 5.22m x 3.02m (17' 1.5" x 9'11")
- External Width: 4.99m (16' 4.5")
- External Depth: 2.49m (8' 2")
- Internal Width: 4.77m (15' 8")
- Internal Depth: 2.27m (7' 5.2")
- Internal Area (m²): 10.83m²
- Ridge Height: 2.44m (8' 0")
- Internal Eaves Height: 2.02m (6' 7.5")
- Roof Style: Pent
- Roof & Floor Thickness: 19mm Tongue and Groove
- Floor Bearers: Pressure Treated
- Storm Braces: Included
- Wall Thickness: 28mm

- Door Height (Walkthrough Height): 1.82m (5' 11")
- Door Width (Walkthrough Width): 1.55m (5' 1")
- Door Locking System: Industry Leading 4 Point Lock - 2 Cams, Latch & Hook Bolt
- Window Locking System: Multi Point
- Window Opening Size: 0.43m x 1.37m (1' 5" x 4' 5")
- Glazing Material: 4mm Toughened Glass
- Glazing Options: 24mm Double Glazing as Standard!
- Ventilation: 2 Plastic Vents Included
- Approx. Assembly Time: 2 Days*

*This is an approximate time only, based on 2 people. Assembly time may vary depending on season/weather conditions, foundation type, ability of those constructing, etc