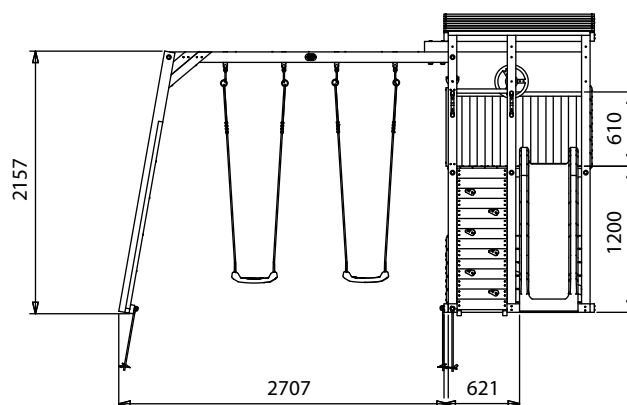
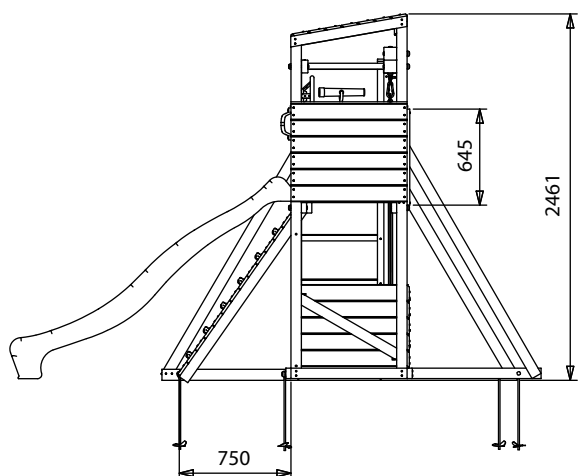
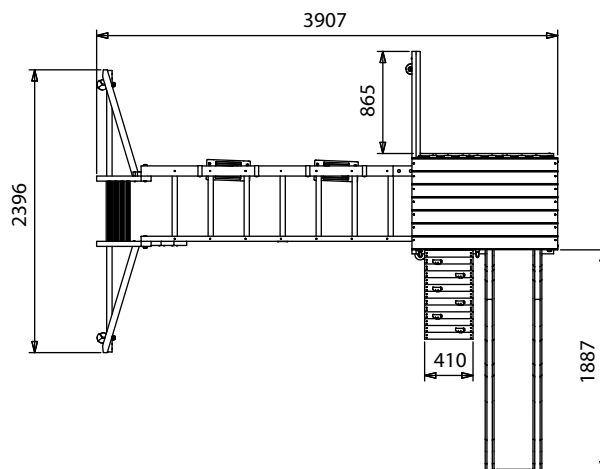


SquirrelFort 2 Swings & Monkey Bars



Specification

- External Width Including Slide: 3.57m (11' 8")
- External Depth Including Slide: 3.85m (12' 7")
- Overall Height: 2.45m (8' 0")
- Platform Width: 0.64m (2' 1")
- Platform Depth: 1.16m (3' 9")
- Platform Height from Ground: 1.20m (3' 11")
- Number of Children: 6 maximum at all times
- Number of Children on Platform: 2 maximum at all times
- Weight of Children: 50kg Per child
- Suitable Age Range: 3 - 14 Year olds
- Restrictions: Monkey Bars and Swings must not be used at the same time
- Main Timber: 70mm x 70mm
- Timber: Pressure Treated
- Independently Tested Safety Standard: EN71
- Safety Ground Anchors: 4 Included
- Safety Ground Anchors Material: Galvised Steel
- Safety Ground Anchors Length: 530
- Swing: 1 Swing
- Slide Construction: 1 Piece of durable plastic
- Climbing Wall: Climbing wall
- Monkey Bars: Yes
- Playhouse / Den: No
- Balcony: No
- Restrictions: Monkey Bar and Swing must not be used at the same time. Monkey Bar and Climbing Net must not be used at the same time.