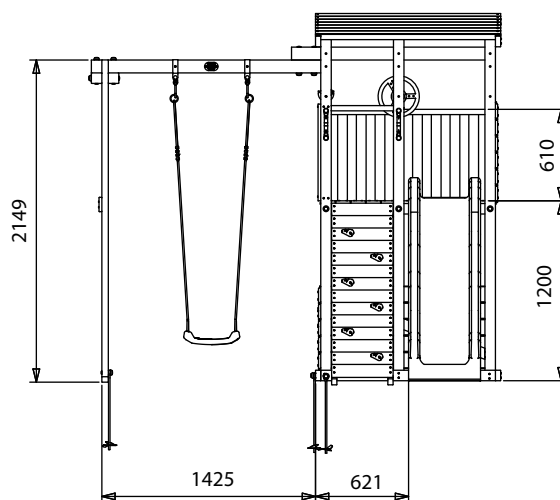
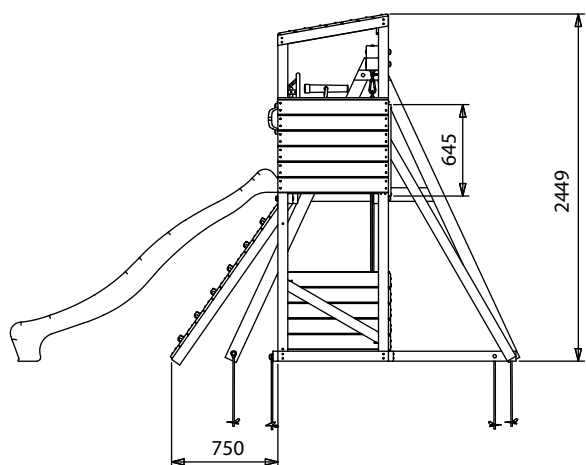
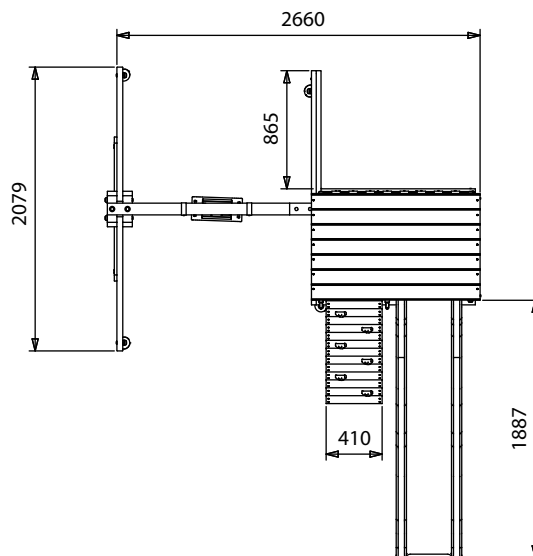


SquirrelFort 1 Swing



Specification

- External Width Including Slide: 2.73m (8' 11")
- External Depth Including Slide: 3.60m (11' 9")
- Overall Height: 2.45m (8' 0")
- Platform Width: 0.64m (2' 1")
- Platform Depth: 1.16m (3' 9")
- Platform Height from Ground: 1.20m (3' 11")
- Number of Children: 4 maximum at all times
- Number of Children on Platform: 2 maximum at all times
- Weight of Children: 50kg Per child
- Suitable Age Range: 3 - 14 Year olds
- Main Timber: 70mm x 70mm
- Timber: Pressure Treated
- Independently Tested Safety Standard: EN71
- Safety Ground Anchors: 4 Included
- Safety Ground Anchors Material: Galvised Steel
- Safety Ground Anchors Length: 530mm
- Swing: 1 Swing
- Slide Construction: 1 Piece of durable plastic
- Climbing Wall: Climbing wall
- Monkey Bars: No
- Playhouse / Den: No
- Balcony: No