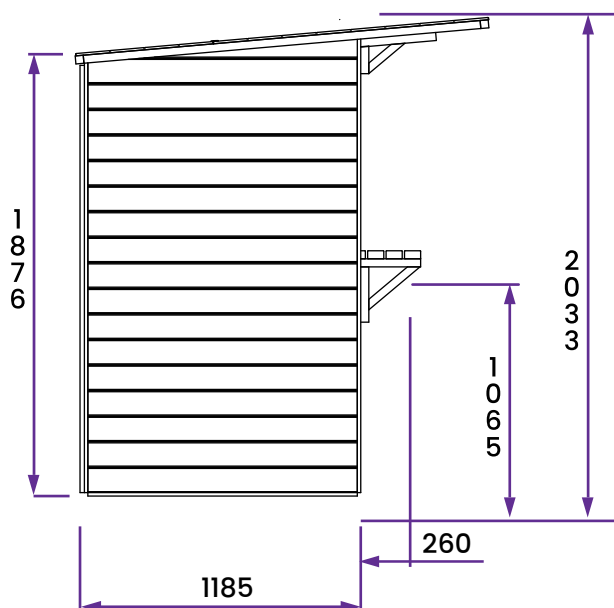
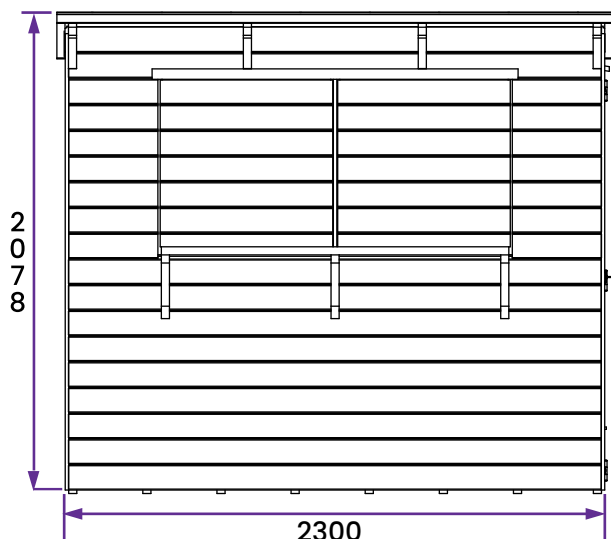
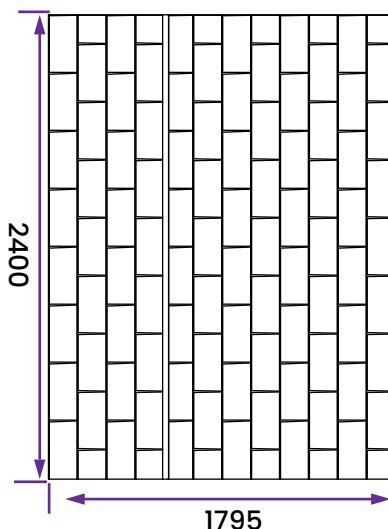


Hangover Pent Garden bar II



Specification

- Please Note: All sizes quoted are nominal
- Overall External Dimensions: 1.80m x 2.40m (5' 10" x 7' 10")
- Wall Thickness: 15mm Untreated for home decoration
- Hatch opening size: 1.5m x 0.75m (4' 11" x 2' 5")
- Shelf length: 1500mm
- Front roof overhang: 555mm
- External Width: 1.80m (5' 10")
- External Depth: 2.40m (7' 10")
- Internal Width: 1.1m (3' 7")
- Internal Depth: 2.23m (7' 3")
- Internal Area (m²): 2.45m²
- Ridge Height: 2.09m (6' 10")
- Internal Eaves Height: 1.84m (6' 0")
- Hatch opening size: 1.5m x 0.75m (4' 11" x 2' 5")
- Roof: 10mm Slate Effect WPC
- Framing: 35mm x 35mm
- Wall Thickness: 15mm Shiplap
- Shed Roof Purlins: 35mm x 70mm
- Shed Door Locking System: Hasp and Clasp
- Floor: 10mm MR P5
- Floor Bearers: Pressure Treated
- Door Overall Frame Height: 0.69 (2' 3")
- Door Overall Frame Width: 1.70m (5' 6")
- Timber: Pressure Treated Slow Grown Spruce