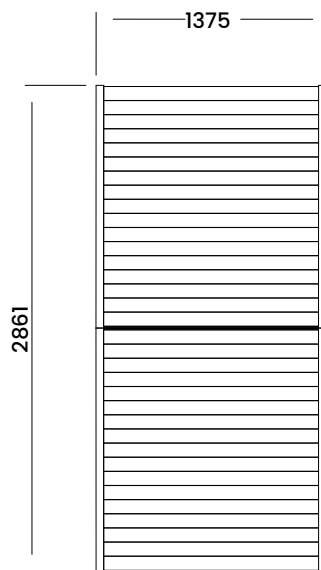
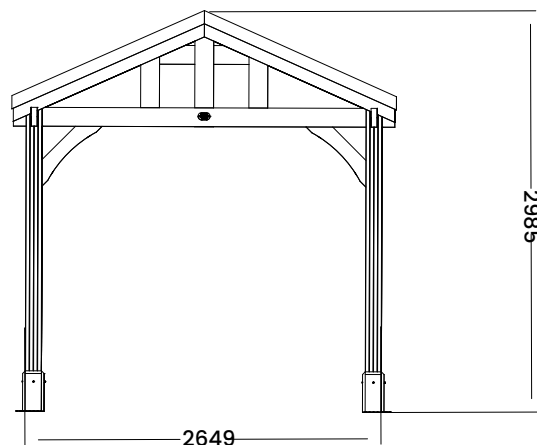
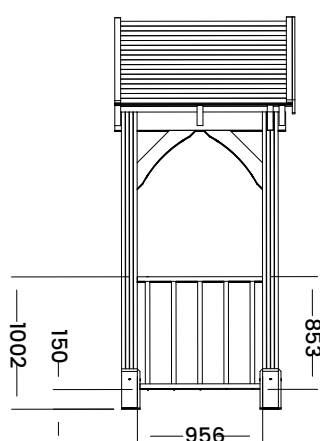
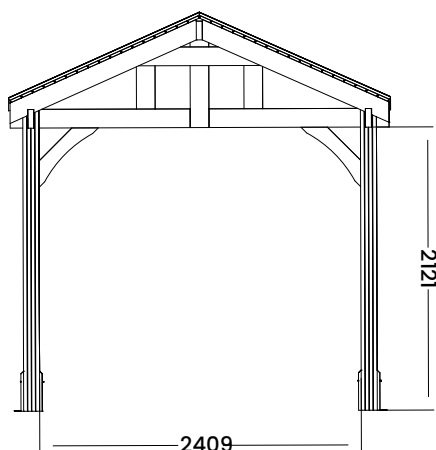


Thunderdam Wooden Porch With Balustrades W3m x D1.5m



VIEW FROM REAR

VIEW FROM FRONT



Specification

- Overall External Dimensions: 2.86m x 1.38m (9' 4" x 4' 6")
- External Width (footprint): 1.20m (3' 11")
- External Depth (footprint): 2.65m (8' 8")
- Internal Width (Post): 2.41m (7' 10")
- Internal Depth (Post): 0.96m (3' 1")
- Overall Height: 2.98m (9' 9")
- Walkthrough Height: 2.12m (6' 11")
- Walkthrough Width: 2.41m (7' 10")
- Timber: Slow Grown Spruce

- Approx. Assembly Time: 6 hours*

*This is an approximate time only, based on 2 people. Assembly time may vary depending on season/weather conditions, foundation type, ability of those constructing, etc