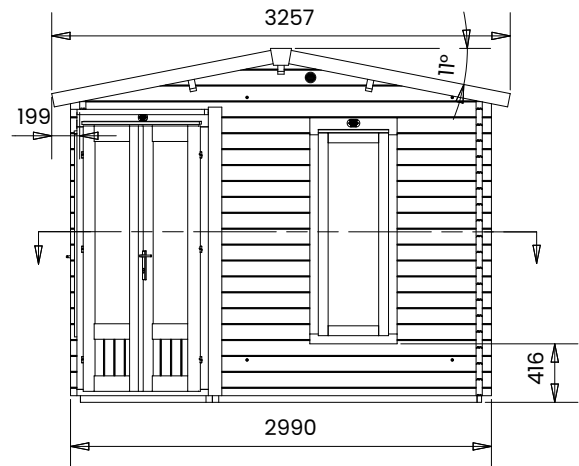
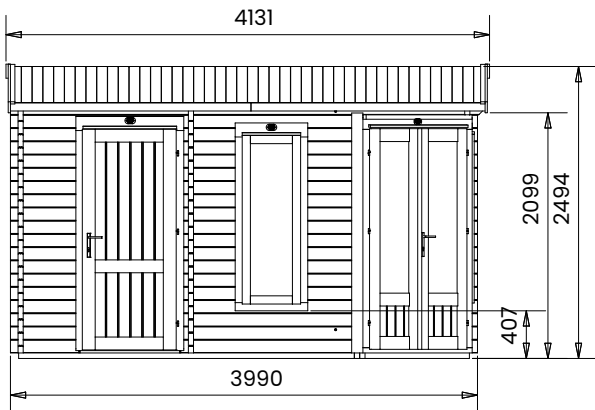
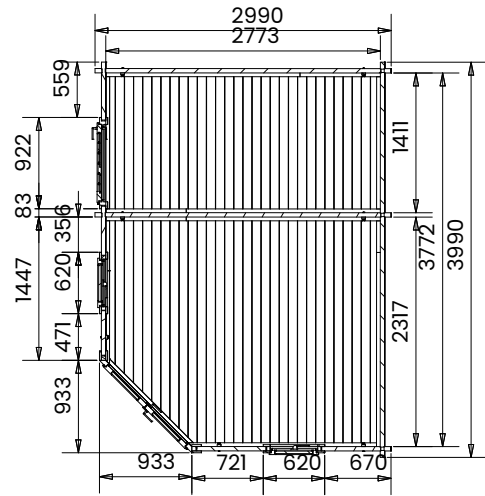


DaftDuck Multi Room Corner Log Cabin



Specification

- **Overall External Dimensions:** 3.26m x 4.09m (10' 8" x 13' 5")
- **External Width:** 2.99m (9' 9")
- **External Depth:** 3.99m (13' 1")
- **Main Room Internal Width:** 2.77m (9' 1") Main Room
- **Internal Depth:** 2.31m (7' 6")
- **Main Room Internal Area (m²):** 5.96m²
- **Store Room Internal Width:** 2.77m (9' 1")
- **Store Room Internal Depth:** 1.41m (4' 7")
- **Store Room Internal Area (m²):** 3.90m²
- **Ridge Height:** 2.49m (8' 2")
- **Internal Eaves Height:** 2.13m (6' 11") Plenty of Headroom!
- **Roof Overhang:** 0.20m (0' 7")
- **Walls:** 100% Slow-Grown Spruce

- **Building Style:** Strong Interlocking Tongue & Groove Logs
- **Wall U-Value (W/m²k):** 1.93 W/m²k
- **Floor Thickness:** 19mm Tongue & Groove
- **Roof Thickness:** 19mm Tongue & Groove
- **Approx. DIY Assembly Time:** 2 Days* This time is an approximation, based on two people building the basic product with no added extras. Assembly time may vary with additional items such as roof shingles, or external circumstances like the weather