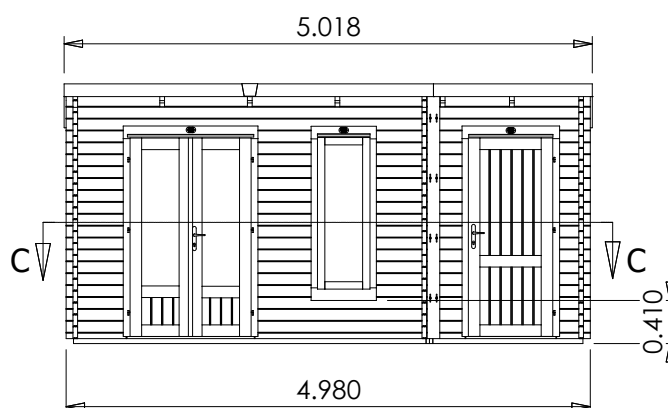
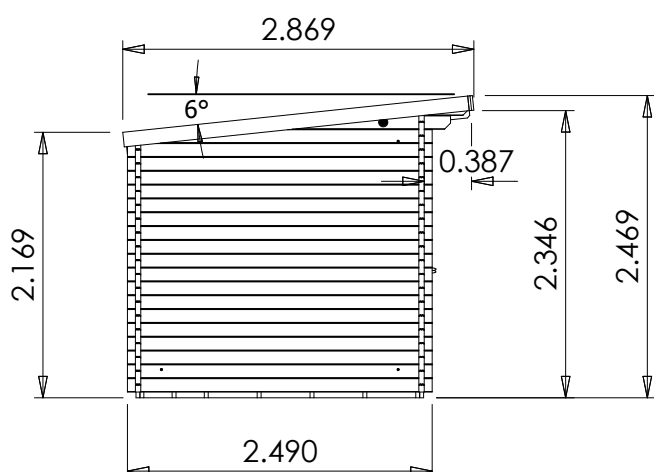
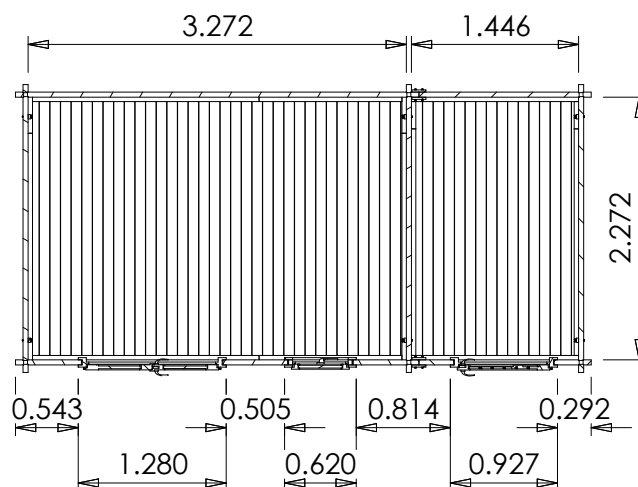


EvilAmy Log Cabin



Specification

- Overall External Dimensions: 5.018m x 2.869m (16' 5.5" x 9' 5")
- External Width: 4.980m (16' 4")
- External Depth: 2.490m (8' 2")
- Main Room Internal Width: 3.272m (10' 8.75")
- Side Room Internal Width: 1.446m (4' 9")
- Internal Depth: 2.272m (7' 5.5")
- Main Room Internal Area (m²): 7.434m² (24' 4.75")
- Store Room Internal Area (m²): 3.285m² (10' 9.25")
- Ridge Height: 2.469m (8' 1.25")
- Internal Eaves Height Front: 2.319m (7' 7.25")
- Internal Eaves Height Back: 1.940m (6' 4.5")
- Roof & Floor Thickness: 19mm
- Floor Bearers: Pressure Treated

- Main Door Height (Walkthrough Height): 1.821m (5' 11.75")
- Main Door Width (Walkthrough Width): 1.096m (3' 7.25")
- Door Locking System: Multi-Point Lock
- Side Door Height (Walkthrough Height): 1.821m (5' 11.75")
- Side Door Width (Walkthrough Width): 0.743m (2' 5.25")
- Window Opening Size: H1.371m x W0.436m (4' 6" x 1' 5.25")
- Glazing Options: 24mm Double Glazing as Standard!
- Glazing Materials: 4mm Toughened Glass
- Included as Standard: Plastic Vents, Adjustable Storm Braces, Assembly Instructions and Fixings
- Approx. Assembly Time: 2 Days*

*This is an approximate time only, based on 2 people. Assembly time may vary depending on season/weather conditions, foundation type, ability of those constructing, etc