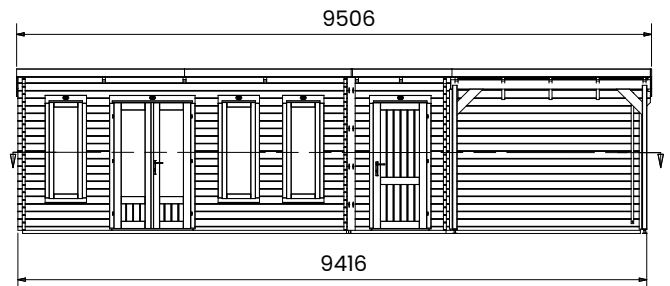
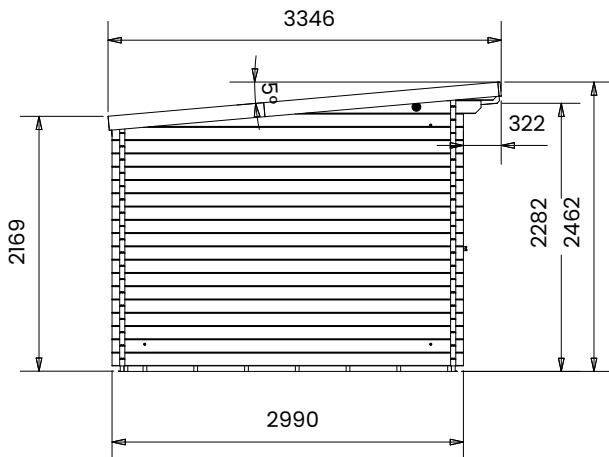
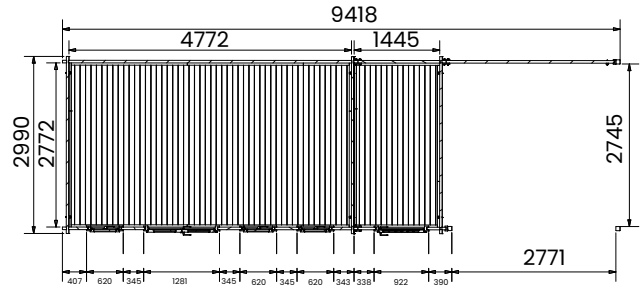


EvilAssassin Log Cabin



Specification

- Overall External Dimensions: 9.50m x 3.34m (31' 2" x 10' 11")
- External Width: 9.41m (30' 10")
- External Depth: 2.99m (9' 9")
- Internal Width: 4.77m (15' 7")
- Internal Depth: 2.77m (9' 1")
- Internal Area (m²): 13.21m²
- Ridge Height: 2.46m (8' 0")
- Internal Eaves Height Front (to under the roof boards): 2.32m (7' 7")
- Internal Eaves Height Front (to under the roof purlins): 2.18m (7' 1")
- Internal Eaves Height Back (to under the roof boards): 2.07m (6' 9")
- Internal Eaves Height Back (to under the roof purlins): 1.93m (6' 3")
- Roof & Floor Thickness: 19mm
- Floor Bearers: Pressure Treated
- Wall U-Value (W/m²k): 1.93 W/m²K
- External Width (Gazebo): 3.00m (9' 10")
- External Depth (Gazebo): 2.89m (9' 5")
- Internal Width (Gazebo): 2.77m (9' 1")
- Internal Depth (Gazebo): 2.74m (8' 11")
- Internal Area (m²) (Gazebo): 7.59m²
- Door Height (Walkthrough Height): 1.82m
- Door Width (Walkthrough Width): 1.55m
- Door Locking System: Cams, Latch & Hook Bolt
- Window Locking System: Headed Espagnolettes
- Window Opening Size: 0.43m x 1.37m (1' 4" x 4' 5")
- Glazing Options: 24mm Double Glazing as Standard
- Ventilation: 2 Plastic Vents Included
- Approx. Assembly Time: *This is an approximate time only, based on 2 people. Assembly time may vary depending on season/weather conditions, foundation type, ability of those constructing, etc