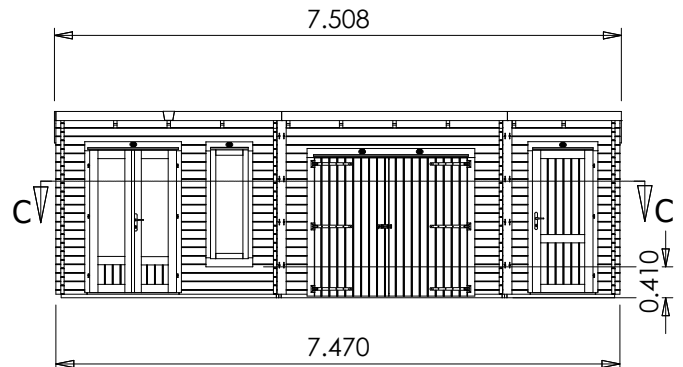
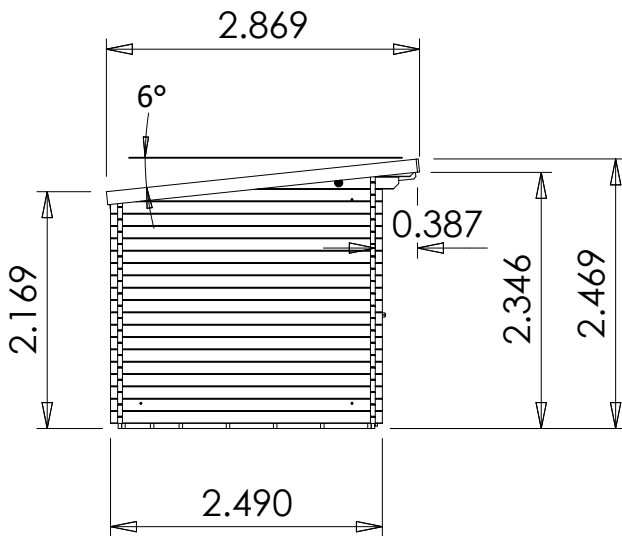
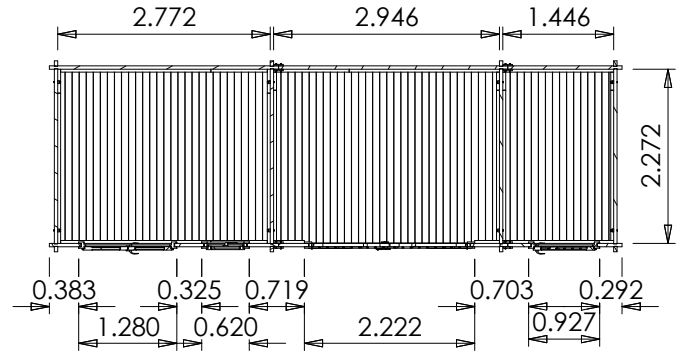


EvilGenius Log Cabin, Workshop and SideStore - W7.5m x D2.5m



Specification

- Overall External Dimensions: 7.508m x 2.869m (24' 7.5" x 9' 5")
- External Width: 7.418m (24' 4")
- External Depth: 2.490m (8' 2")
- Internal Width (Main Cabin): 2.772m (9' 1.25")
- Internal Width (Store Room): 1.446m (4' 9")
- Internal Width (Gazebo): 2.932m (9' 7.5")
- Internal Depth: 2.272m (7' 5.5")
- Internal Area (Main Cabin): 6.298m² (20' 8")
- Internal Area (Store Room): 3.285m² (10' 9.25")
- Internal Area (Gazebo): 6.662m² (21' 10.25")
- Ridge Height: 2.469m (8' 1.25")
- Internal Eaves Height (Front): 2.319m (7' 7.25")
- Roof Overhang: 0.387m (1' 3.25")
- Roof Thickness: 19mm
- Roof Covering Options: None or Felt
- Wall Thickness: 45mm
- Floor Thickness: 19mm
- Floor Bearers: 100% Pressure Treated Slow-Grown Spruce
- Door and Window Locking System: Multi-Point Lock
- Main Door Walkthrough: 1.096m (3' 7.25") x 1.821m (5' 11.75")
- Side Door Walkthrough: 0.743m (2' 5.25") x 1.821m (5' 11.75")
- Gazebo Walkthrough: 2.771m (9' 1") x 2.159m (7' 1") x 2.246m (7' 4.5")
- Window Opening Size: 0.436m x 1.371m (1' 5.25" x 4' 6")
- Main Frame Roof Component: 140mm x 45mm
- Please Note: All fixing needed for assembly are supplied
- Please Note: All wood is planed, pre-cut (except trims), and pre-notched for quick and easy construction.
- Approx DIY Assembly Time: 2 Days - This is an approximate time only, based on 2 people. Assembly time may vary depending on the season/weather conditions, foundation type, ability of those constructing, etc.