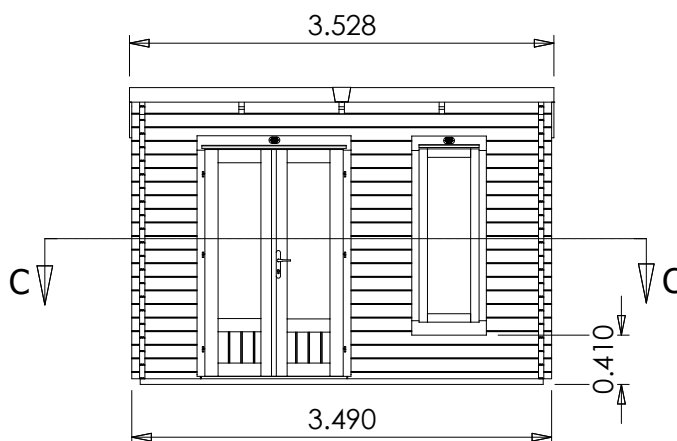
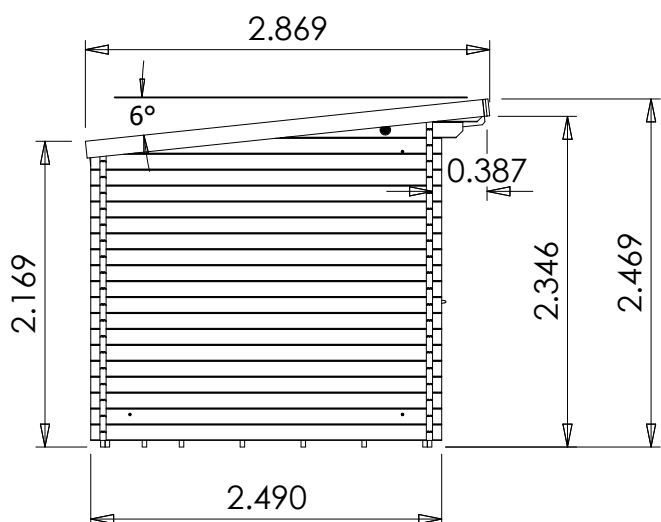
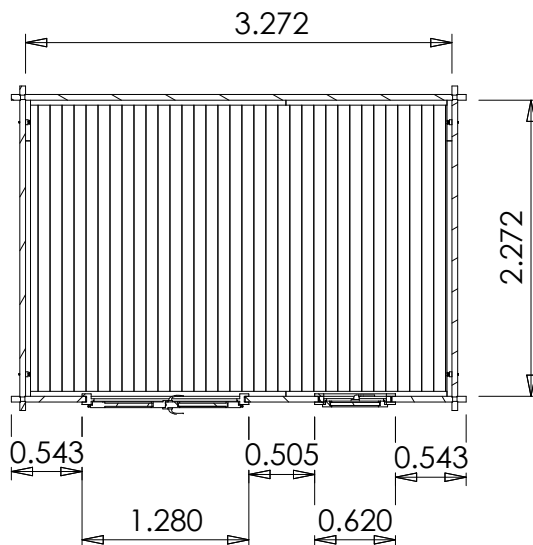


Terminator Log Cabin



Specification

- Overall External Dimensions: 3.528m x 2.869m (11' 7" x 9' 5")
- External Width: 3.490m (11' 5.5")
- External Depth: 2.490m (8' 2")
- Internal Width: 3.272m (10' 8.75")
- Internal Depth: 2.272m (7' 5.5")
- Internal Area (m²): 7.434m²
- Ridge Height: 2.469m (8' 1.25")
- Internal Eaves Height Front (under roof boards): 2.319m (7' 7.25")
- Internal Eaves Height Back (under roof purlins): 1.940m (6' 4.5")
- Wall U-Value: 1.93 W/m²k
- Roof Style: Pent
- Roof & Floor Thickness: 19mm Tongue and Groove
- Floor Bearers: Pressure Treated
- Storm Braces: Included
- Door Height (Walkthrough Height): 1.821m (5' 11.75")
- Door Width (Walkthrough Width): 1.096m (3' 7.25")
- Door Locking System: Multi-Point Lock
- Window Locking System: Secure Multi-Point Locking With Espagnolettes
- Window Opening Size: H1.371m x W0.436m (4' 6" x 1' 5.25")
- Glazing Material: 4mm Toughened Glass
- Glazing Options: 24mm Double Glazing
- Included as Standard: Plastic Vents, Adjustable Storm Braces, Assembly Instructions and Fixings
- Approx. Assembly Time: 2 Days*

*This is an approximate time only, based on 2 people. Assembly time may vary depending on season/weather conditions, foundation type, ability of those constructing, etc