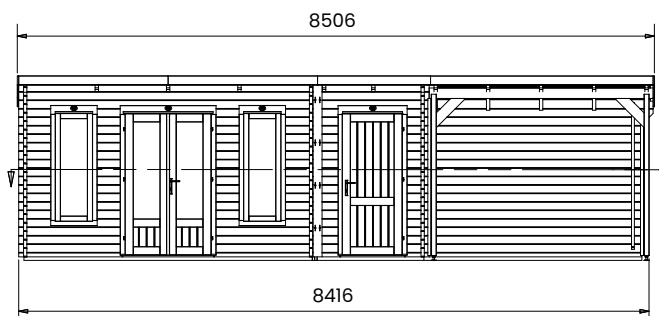
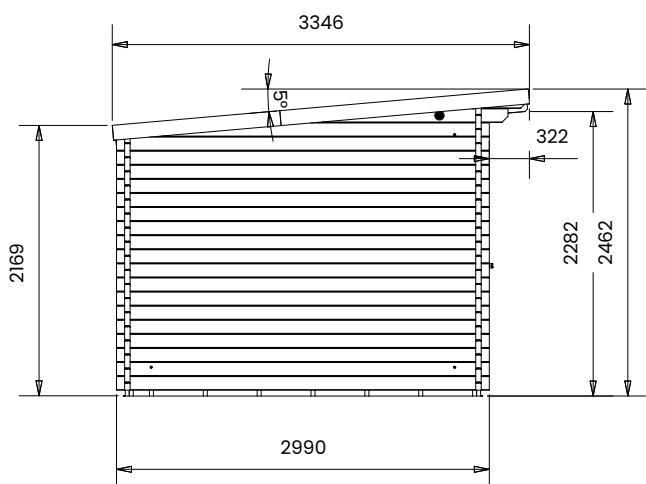
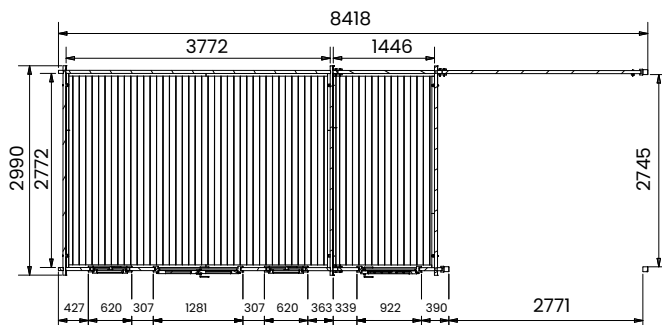


Assassin Log Cabin with Gazebo



Specification

- Please Note: All sizes quoted are nominal
- Overall External Dimensions: 8.50m x 3.35m (27' 10" x 10' 11")
- External Width: 8.41m (27' 7")
- External Depth: 2.99m (9' 9")
- Main Room Internal Width: 3.77m (12' 4")
- Store Room Internal Width: 1.45m (4' 9")
- Internal Depth: 2.77m (9' 1")
- Main Room Internal Area (m²): 10.44
- Store Room Internal Area (m²): 4.02
- Roof Overhang: 0.38m (1' 2")
- Ridge Height: 2.46m (8' 0")
- Internal Eaves Height Front (to under the roof boards): 2.32m (7' 7")
- Internal Eaves Height Front (to under the roof purlins): 2.18m (7' 1")

- Internal Eaves Height Back (to under the roof boards): 2.07m (6' 9")
- Internal Eaves Height Back (to under the roof purlins): 1.93m (6' 3")
- External Width (Gazebo): 3.00m (9' 10")
- External Depth (Gazebo): 2.89m (9' 5")
- Internal Width (Gazebo): 2.77m (9' 1")
- Internal Depth (Gazebo): 2.74m (8' 11")
- Roof Thickness: 19mm Tongue & Groove
- Wall Thickness: 45mm
- Floor Thickness: 19mm Tongue & Groove
- 24mm Double Glazing: 24mm Double Glazing
- Approximate DIY Assembly Time: 2 Days - This is an approximate time only, based on 2 people. Assembly time may vary depending on season/weather conditions, foundation type, ability of those constructing, etc