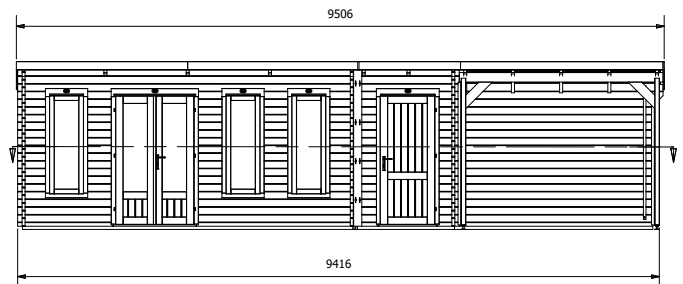
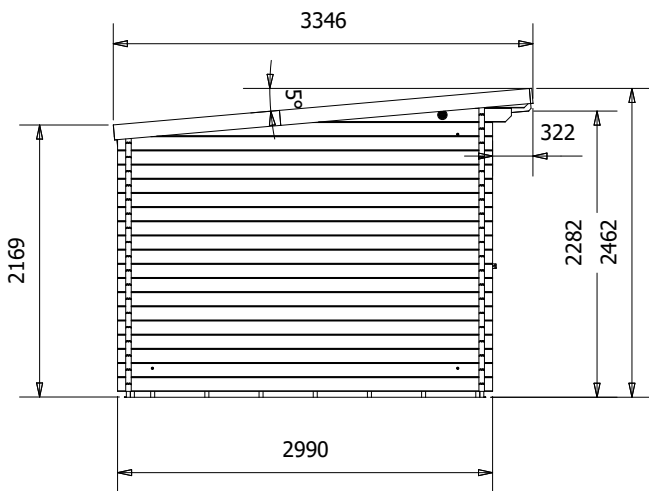
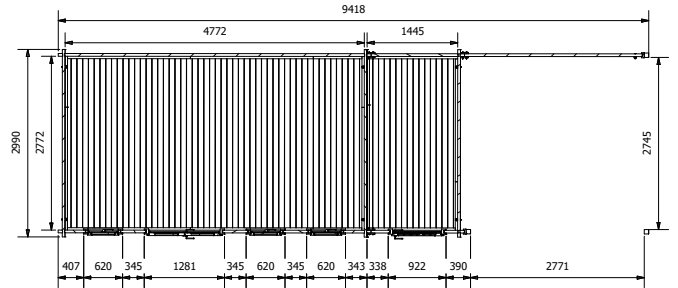


Assassin Log Cabin with Gazebo

Approx. W9.5m x D3.0m



Specification

- Please Note: All sizes quoted are nominal
- Overall External Dimensions: 9.50m x 3.35m (31' 2" x 10' 11")
- External Width: 9.41m (30' 10")
- External Depth: 2.99m (9' 9")
- Internal Width (Cabin): 4.77m (15' 7")
- Internal Depth (Cabin): 2.77m (9' 1")
- Internal Area (m²) (Cabin): 13.21m²
- Store Room Internal Width: 1.45m (4' 9")
- Store Room Internal Depth: 2.77m (9' 1")
- Store Room Internal Area (m²): 4.02
- Internal Eaves Height Front (to under the roof boards): 2.32m (7' 7")
- Internal Eaves Height Front (to under the roof purlins): 2.18m (7' 1")
- Internal Eaves Height Back (to under the roof boards): 2.07m (6' 9")

- Internal Eaves Height Back (to under the roof purlins): 1.93m (6' 3")
- Roof Overhang: 0.38m (1' 2")
- Ridge Height: 2.46m (8' 0")
- Roof Thickness: 19mm Tongue & Groove
- Floor Bearers: Pressure Treated for Longevity
- Floor Thickness: 19mm Tongue & Groove
- 24mm Double Glazing: Included as Standard
- Window Opening Size: 0.43m x 1.37m (1' 4" x 4' 5")
- External Width (Gazebo): 3.00m (9' 10")
- External Depth (Gazebo): 2.89m (9' 5")
- Internal Width (Gazebo): 2.77m (9' 1")
- Internal Depth (Gazebo): 2.74m (8' 11")
- Internal Area (m²) (Gazebo): 7.59m²
- Roof Purlins: 140 x 45mm