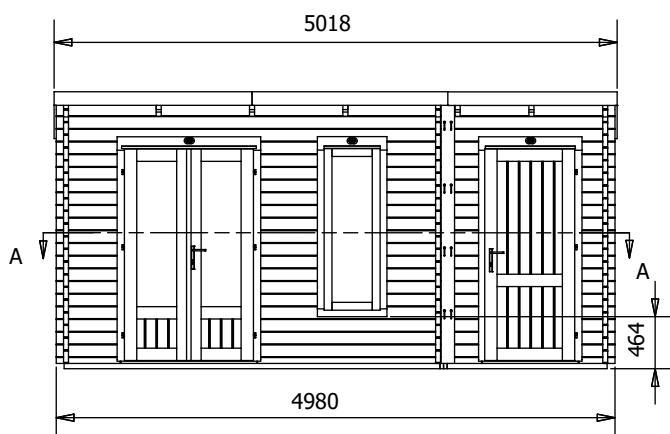
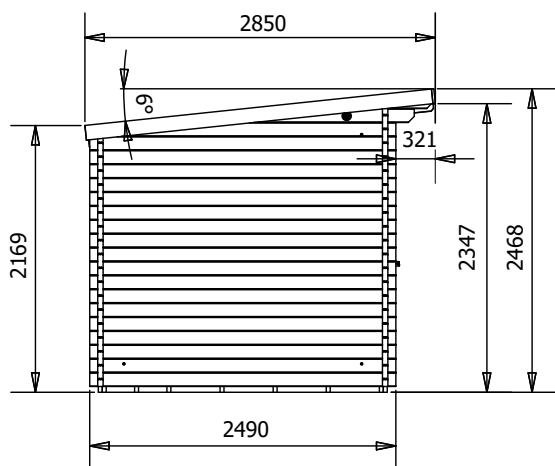
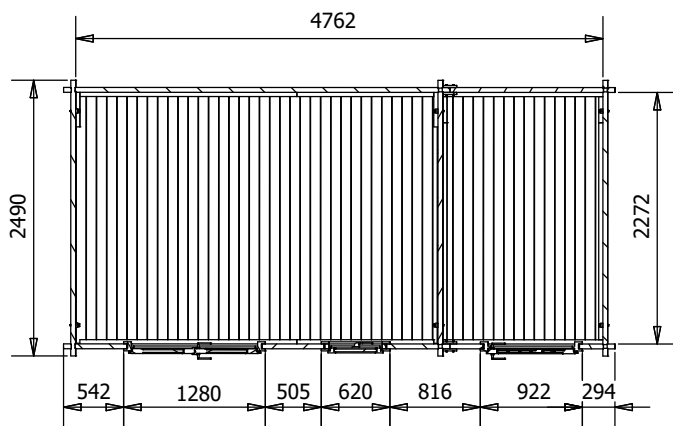


EvilAmy Log Cabin



Specification

- Overall External Dimensions: 5.02m x 2.85m (16' 5" x 9' 4")
- External Width: 4.98(16' 4")
- External Depth: 2.49m (8' 2")
- Main Room Internal Width: 3.27m (10' 8")
- Side Room Internal Width: 1.45m (4' 9")
- Internal Depth: 2.27m (7' 5")
- Main Room Internal Area (m²): 7.42m²
- Store Room Internal Area (m²): 3.29m²
- Ridge Height: 2.46m (8' 0")
- Internal Eaves Height Front: 2.31m (7' 6")
- Internal Eaves Height Back: 2.07m (6' 9")
- Roof & Floor Thickness: 19mm
- Floor Bearers: Pressure Treated

- Door Height (Walkthrough Height): 1.82m (5' 11")
 - Door Width (Walkthrough Width): 1.11m (3' 7")
 - Door Locking System: Industry Leading 6 Point Lock – 2 Cams, Latch & Hook Bolt, 2 Shootbolts
 - Window Locking System: Multi Point with Mushroom Headed Espagnolettes
 - Window Opening Size: 0.43m x 1.37m (1' 5" x 4' 5")
 - Glazing Options: 24mm Double Glazing as Standard!
 - Ventilation: 2 Plastic Vents Included
 - Approx. Assembly Time: 2 Days*
- *This is an approximate time only, based on 2 people. Assembly time may vary depending on season/weather conditions, foundation type, ability of those constructing, etc