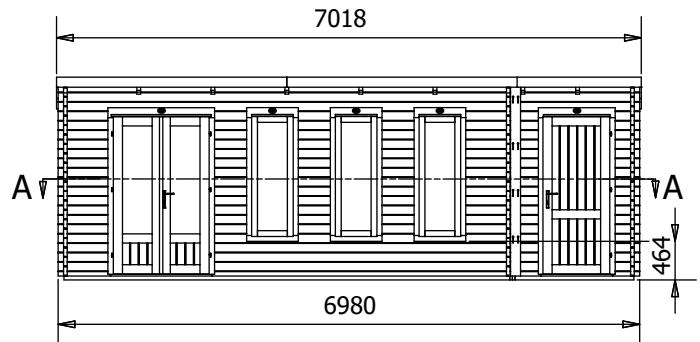
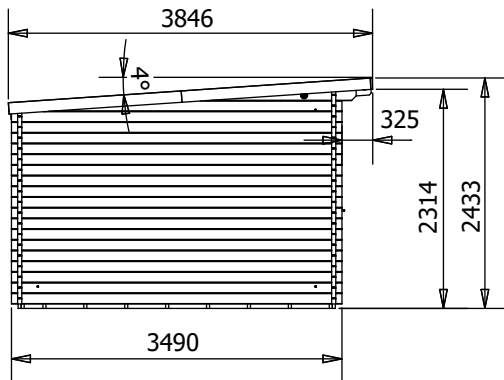
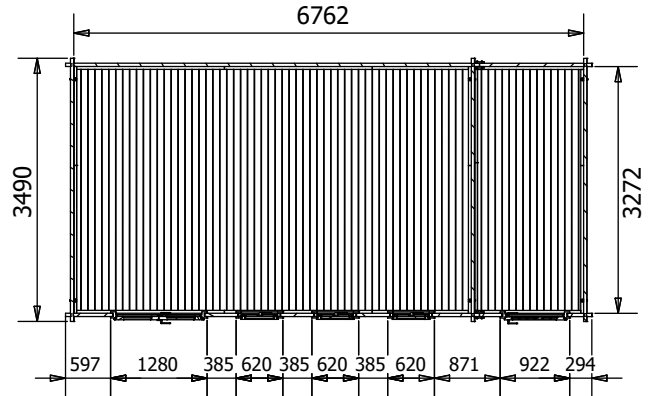


EvilAmy Log Cabin



Specification

- Overall External Dimensions: 7.02m x 3.85m (23' 0" x 12' 7")
- External Width: 6.98m (22' 10")
- External Depth: 3.49m (11' 5")
- Main Room Internal Width: 5.27m (17' 3")
- Main Room Internal Depth: 3.27m (10' 8")
- Main Room Internal Area (m²): 17.23
- Store Room Internal Width: 1.45m (4' 9")
- Store Room Internal Depth: 3.27m (10' 8")
- Store Room Internal Area (m²): 4.74
- Ridge Height: 2.46m (8' 0")

- Roof Thickness: 19mm Tongue & Groove
- Roof Covering Options: None or Felt
- Roof Overhang: 0.32m (1' 0")
- Wall U-Value (W/m²k): 1.93 W/m²K
- Walls: 100% Slow Grown Spruce
- Building Style: Strong Interlocking Tongue & Groove Logs
- Floor Thickness: 19mm Tongue & Groove
- Glazing Options: 24mm Double Glazing as Standard!
- Ventilation: 2 Plastic Vents Included
- Approx. Assembly Time: 2 Days*

*This is an approximate time only, based on 2 people. Assembly time may vary depending on season/weather conditions, foundation type, ability of those constructing, etc