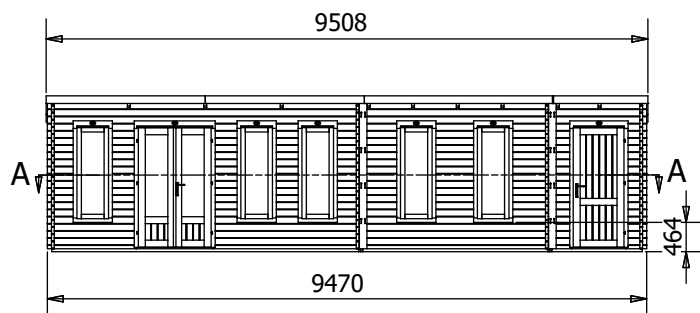
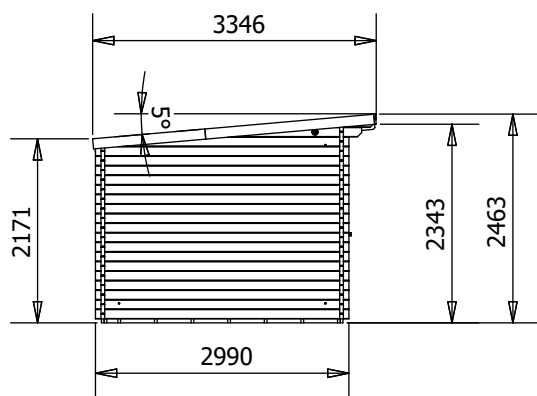
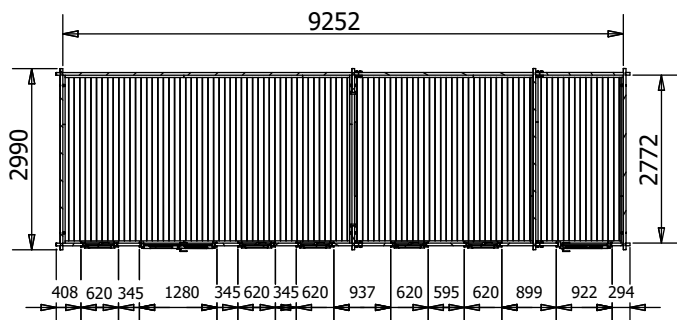




EvilAmy Log Cabin



Specification

- Overall External Dimensions: 9.50m x 3.34m (31' 2" x 10' 11")
- External Width: 9.47m (31' 0")
- External Depth: 2.99m (9' 9")
- Main Room Internal Width: 7.76m (25' 5")
- Main Room Internal Depth: 2.77m (9' 1")
- Main Room Internal Area (m²): 21.50
- Store Room Internal Width: 1.45m (4' 9")
- Store Room Internal Depth: 2.77m (9' 1")
- Store Room Internal Area (m²): 4.02
- Internal Eaves Height Front (to under the roof boards): 2.32m (7' 7")
- Internal Eaves Height Front (to under the roof purlins): 2.18m (7' 1")

- Internal Eaves Height Back (to under the roof boards): 2.07m (6' 9")
- Internal Eaves Height Back (to under the roof purlins): 1.93m (6' 3")
- Window Locking System: Multi Point with Mushroom Headed Espagnolettes
- Door Locking System: Industry Leading 6 Point Lock – 2 Cams, Latch & Hook Bolt, 2 Shootbolts
- Window Opening Size: 0.43m x 1.37m (1' 5" x 4' 5")
- Glazing Options: 24mm Double Glazing as Standard!
- Ventilation: 2 Plastic Vents Included
- Approx. Assembly Time: 2 Days*

*This is an approximate time only, based on 2 people. Assembly time may vary depending on season/weather conditions, foundation type, ability of those constructing, etc