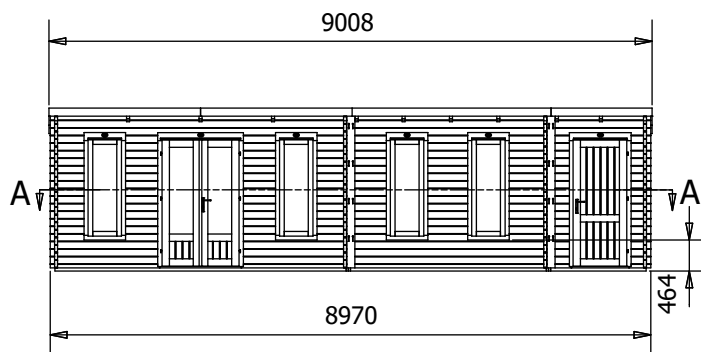
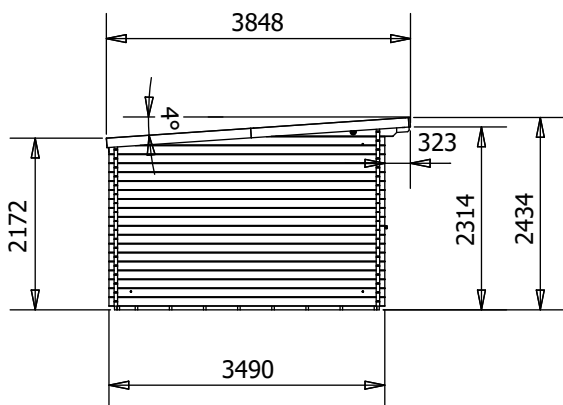
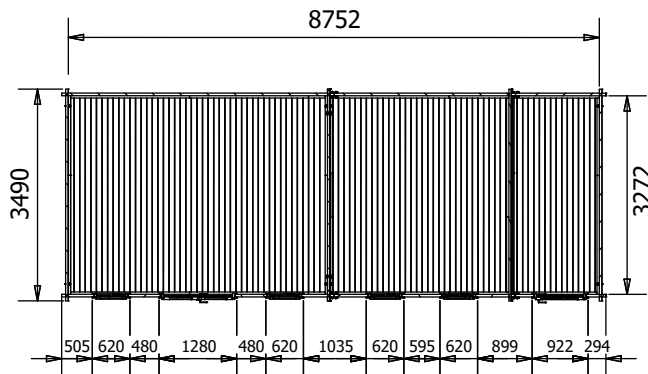


EvilAmy Log Cabin



Specification

- Overall External Dimensions: 9.01m x 3.85m (29' 6" x 12' 7")
- External Width: 8.97m (29' 5")
- External Depth: 3.49m (11' 5")
- Main Room Internal Width: 7.26m (23' 9")
- Main Room Internal Depth: 3.27m (10' 8")
- Main Room Internal Area (m²): 23.74
- Store Room Internal Width: 1.45m (4' 9")
- Store Room Internal Depth: 3.27m (10' 8")
- Store Room Internal Area (m²): 4.74
- Ridge Height: 2.46m (8' 0")
- Internal Eaves Height Front (to under the roof boards): 2.3m (7' 6")
- Internal Eaves Height Front (to under the roof purlins): 2.16m (7' 1")

- Internal Eaves Height Back (to under the roof boards): 2.07m (6' 9")

- Internal Eaves Height Back (to under the roof purlins): 1.93m (6' 3")

- Window Locking System: Multi Point with Mushroom Headed Espagnolettes

- Window Opening Size: 0.43m x 1.37m (1' 5" x 4' 5")

- Glazing Options: 24mm Double Glazing as Standard!

- Ventilation: 2 Plastic Vents Included

- Approx. Assembly Time: 2 Days*

*This is an approximate time only, based on 2 people. Assembly time may vary depending on season/weather conditions, foundation type, ability of those constructing, etc