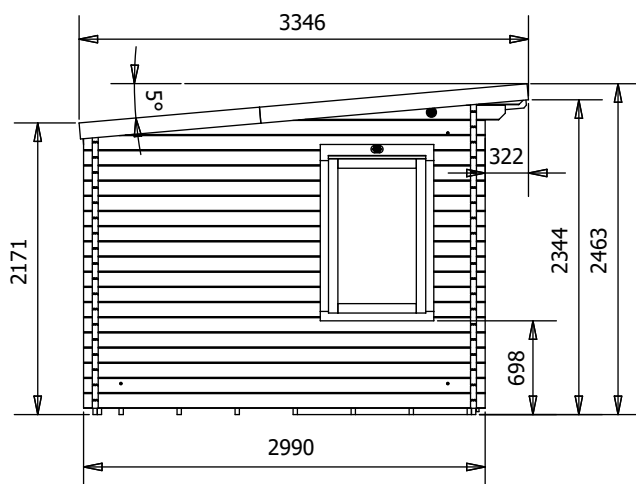
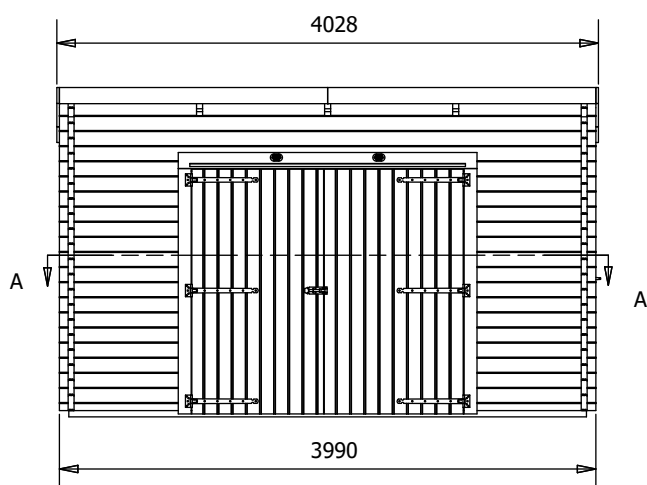
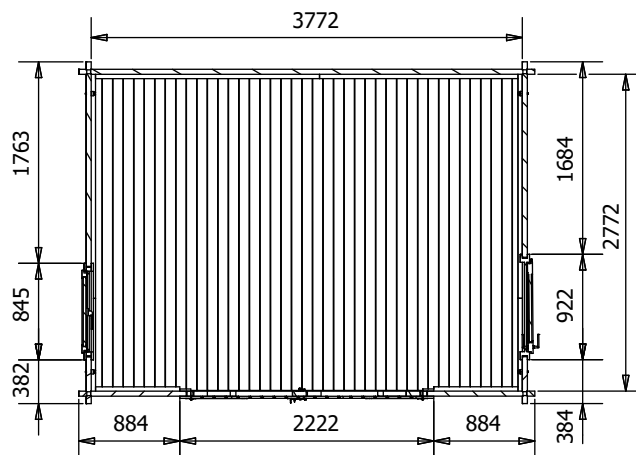


EvilGenius Workshop

W4m x D3m



Specification

- Overall External Dimensions: 4.02m x 3.35m (13' 2.25" x 10'12")
- External Width: 3.99m (13' 1")
- External Depth: 2.99m (9' 9.75")
- Internal Width: 3.77m (12' 4.5")
- Internal Depth: 2.77m (9' 1")
- Internal Area (m²): 10.44m²
- Ridge Height: 2.46m (8' 0.75")
- Internal Eaves Height Front: 2.32m (7' 7.25")
- Internal Eaves Height Back: 2.07m (6' 9.5")
- Roof & Floor Thickness: 19mm
- Roof Purlins: 140mm x 45mm
- Floor Bearers: Pressure Treated

- Side Door Opening Size: 0.74m x 1.82m
- Garage Door Opening Size: 1.99m x 1.79m
- Door Locking System: Multi-Point Lock
- Number of Windows: 1
- Window Opening Size: 0.43m x 1.37m
- Glazing Options: 24mm Double Glazing as Standard!
- Ventilation: 2 Plastic Vents Included
- Approx. Assembly Time: 2 Days*

*This is an approximate time only, based on 2 people. Assembly time may vary depending on season/weather conditions, foundation type, ability of those constructing, etc