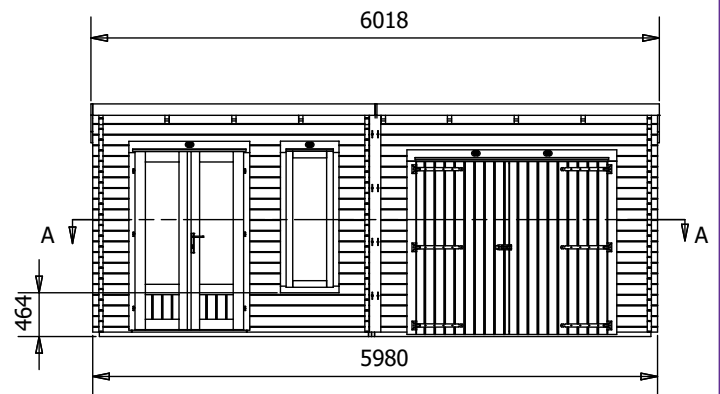
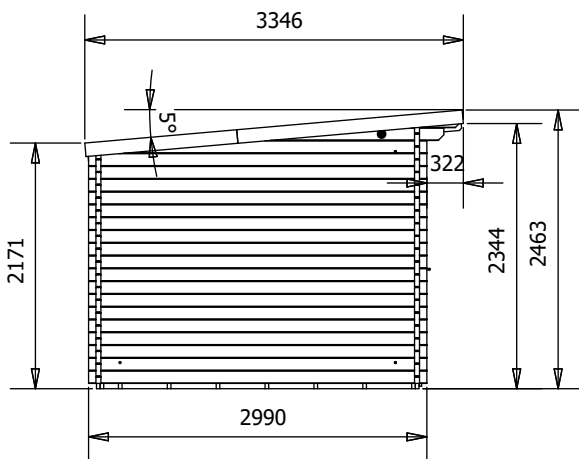
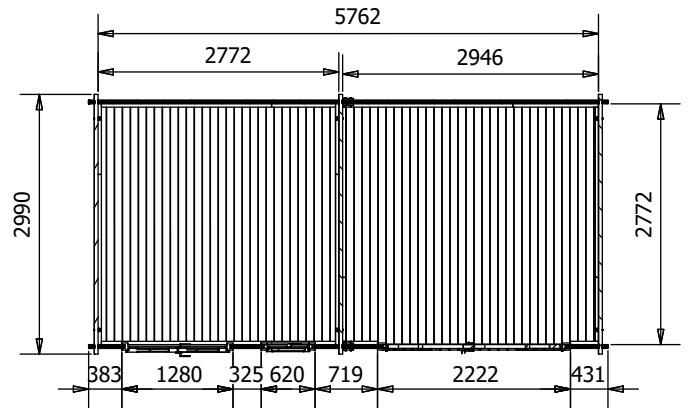


EvilGenius Workshop



Specification

- Overall External Dimensions: 6.01m x 3.34m (19' 8.5" x 10' 11.5")
- External Width: 5.98m (19' 7.5")
- External Depth: 2.99m (9' 9.75")
- Main Room Internal Width: 2.77m (9' 1")
- Side Room Internal Width: 2.94m (9' 7.75")
- Internal Depth: 2.77m (9' 1")
- Main Room Internal Area (m²): 7.67m²
- Store Room Internal Area (m²): 8.14m²
- Ridge Height: 2.46m (8' 0.75")
- Internal Eaves Height Front: 2.32m (7' 7.25")
- Internal Eaves Height Back: 2.07m (6' 9.5")
- Roof & Floor Thickness: 19mm
- Floor Bearers: Pressure Treated

- Main Room Door Width & Height: 1.11m x 1.82m
- Side Room Door Width & Height: 1.99m x 1.79m
- Door Locking System: Mutli-Point locking system
- Number of windows: 1
- Window Opening Size: 0.43m x 1.37m
- Glazing Options: 24mm Double Glazing as Standard!
- Ventilation: 2 Plastic Vents Included
- Approx. Assembly Time: 2 Days*

*This is an approximate time only, based on 2 people. Assembly time may vary depending on season/weather conditions, foundation type, ability of those constructing, etc