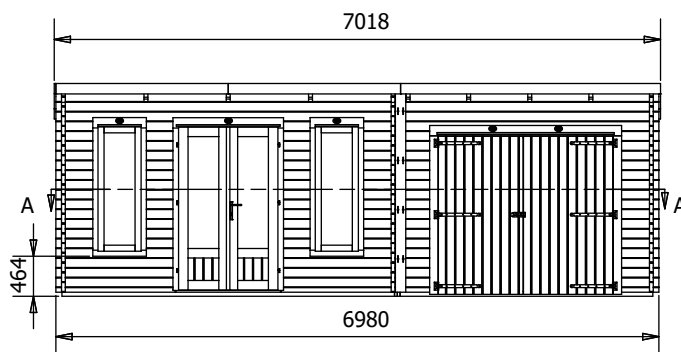
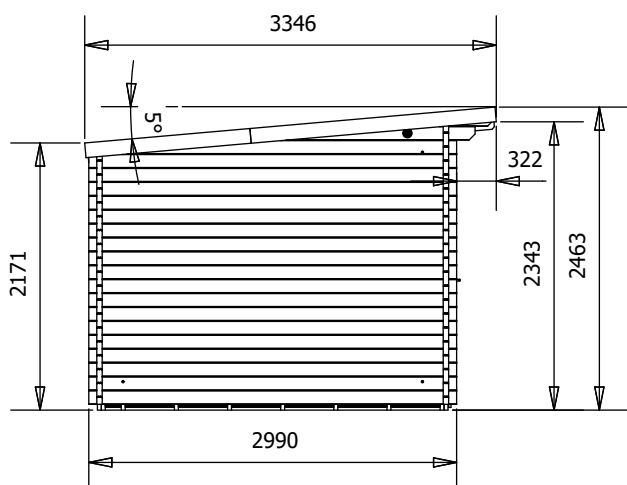
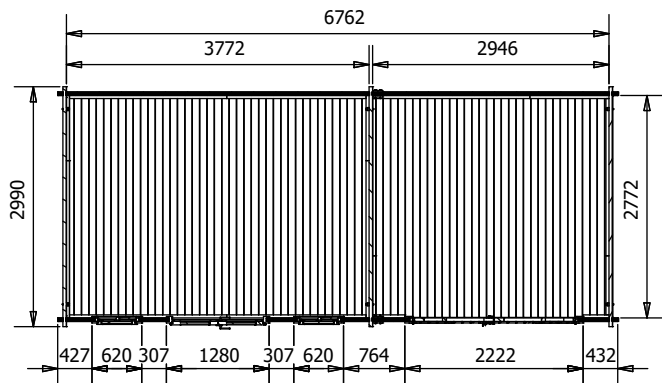


# EvilGenius Workshop



## Specification

- Overall External Dimensions: 7.01m x 3.34m (22' 12" x 11' 5")
- External Width: 6.98m (22' 10.75")
- External Depth: 2.99m (9' 9.75")
- Main Room Internal Width: 3.77m (12' 4.5")
- Side Room Internal Width: 2.94m (9' 7.75")
- Internal Depth: 2.77m (9' 1")
- Main Room Internal Area (m<sup>2</sup>): 10.44m<sup>2</sup>
- Store Room Internal Area (m<sup>2</sup>): 8.14m<sup>2</sup>
- Ridge Height: 2.46m (8' 0.75")
- Internal Eaves Height Front: 2.32m (7' 7.25")
- Internal Eaves Height Back: 2.07m (6' 9.5")
- Roof & Floor Thickness: 19mm
- Floor Bearers: Pressure Treated

- Main Room Door Width & Height: 1.11m x 1.82m
- Side Room Door Width & Height: 1.99m x 1.79m
- Door Locking System: Mutli-Point locking system
- Number of windows: 2
- Window Opening Size: 0.43m x 1.37m
- Glazing Options: 24mm Double Glazing as Standard!
- Ventilation: 2 Plastic Vents Included
- Approx. Assembly Time: 2 Days\*

\*This is an approximate time only, based on 2 people. Assembly time may vary depending on season/weather conditions, foundation type, ability of those constructing, etc