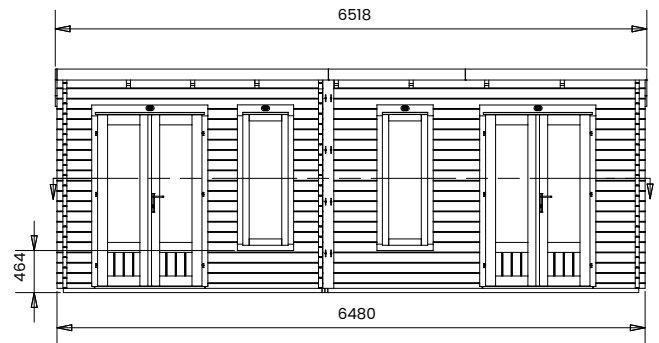
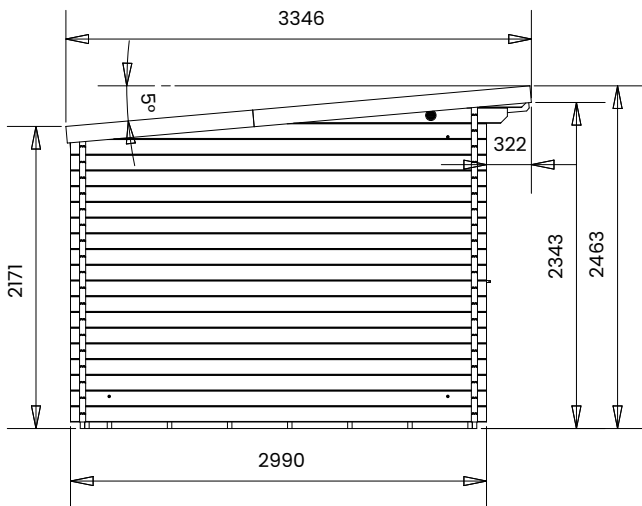
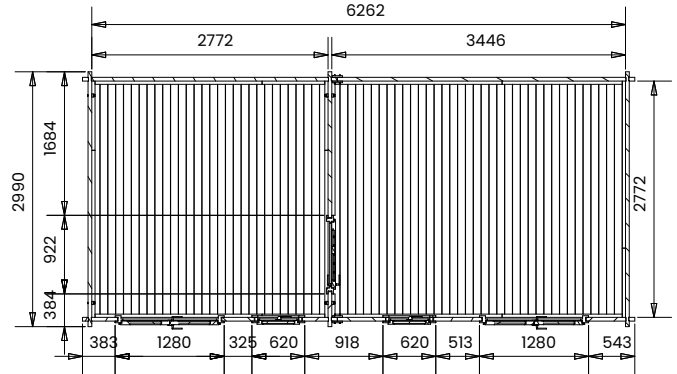


His&Hers Log Cabin



Specification

- Please Note: All sizes quoted are nominal
- Overall External Dimensions: 6.51m x 3.34m (21' 4" x 10' 11")
- External Width: 6.48m (21' 3")
- External Depth: 2.99m (9' 9")
- Main Room Internal Width: 2.77m (9' 1")
- Extension Room Internal width: 3.44m
- Internal Depth: 2.77m (9' 1")
- Main Room Internal Area (m²): 7.67
- Extension Room Internal area (m²): 9.53
- Ridge Height: 2.46m (8' 0")
- Roof Overhang: 0.32m (1' 0")
- 24mm Double Glazing: Included As Standard
- Roof Thickness: 19mm Tongue & Groove
- Internal Eaves Height Front (to under the roof boards): 2.32m (7' 7")
- Internal Eaves Height Front (to under the roof purlins): 2.18m (7' 1")
- Internal Eaves Height Back (to under the roof boards): 2.07m (6' 9")
- Internal Eaves Height Back (to under the roof purlins): 1.93m (6' 3")
- Roof Covering Options: None, Felt
- Roof Purlins: 140 x 45mm
- Wall Thickness: 45mm
- Wall U-Value (W/m²K): 1.93 W/m²K
- Floor Bearers: Pressure Treated for Longevity
- Floor Thickness: 19mm Tongue & Groove
- Door Locking System: Industry Leading 4 Point Lock - 2 Cams, Latch & Hook Bolt
- Double Door walkthrough height: 1.82m (5' 11")
- Double Door walkthrough width: 1.11m (3' 7")
- Single Door walkthrough height: 1.82m (5' 11")
- Single Door walkthrough width: 0.74m (2' 5")