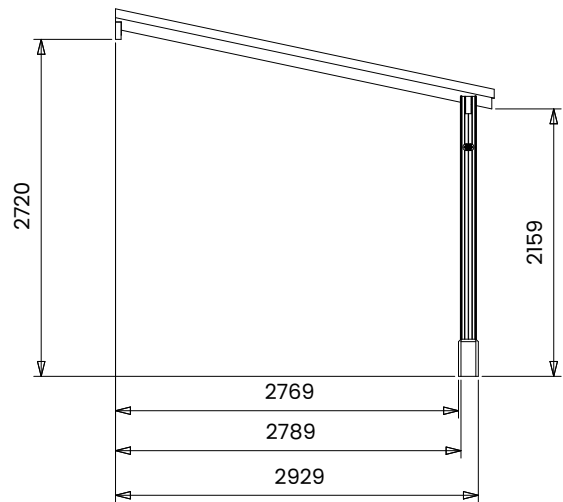
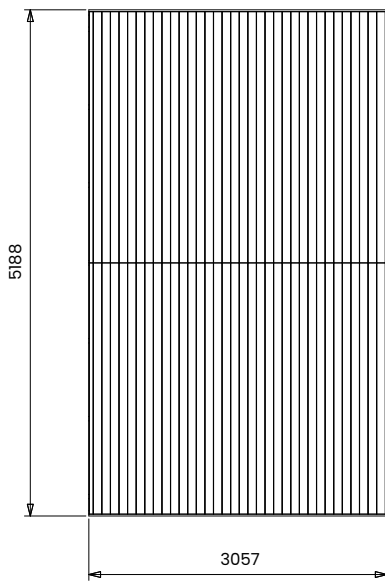
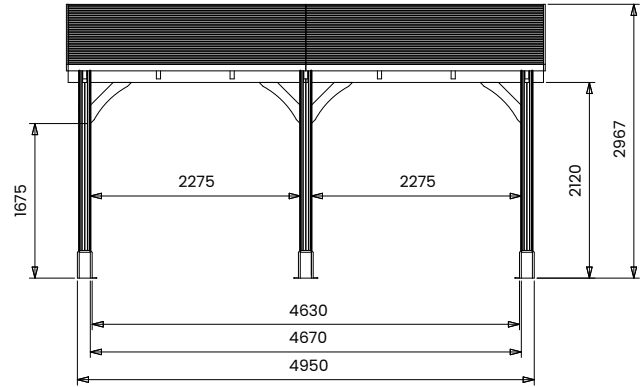


leviathan Lean To Carport



Specification

- **Please Note:** All sizes quoted are nominal
- **External Width:** 5.19m (17' 0")
- **External Depth:** 3.06m (10' 0")
- **Internal Width:** 2.73m (8' 11")
- **Internal Depth:** 4.67m (15' 3")
- **Overall Height:** 2.97m (9' 8")
- **Internal Eaves Height:** 2.12m (6' 11")
- **Timber:** Slow Grown Spruce
- **Uprights:** 120mm x 120mm

- **Roof:** 19mm Tongue & Groove
 - **Roof Covering Options:** None, Felt or Shingles
 - **Guarantee:** 10 Years on Pressure Treated Timber against Rot and Insect Infestation
 - **Please Note:** *Flashing and brackets/fixings required to attach the gazebo to your wall are not included. As different types of walls require different fixings, you will need to seek professional advice as to which fixings to use.
 - **Approx. DIY Assembly Time:** 1 Days*
- *This is an approximate time only, based on 2 people. Assembly time may vary depending on season/weather conditions, foundation type, ability of those constructing, etc