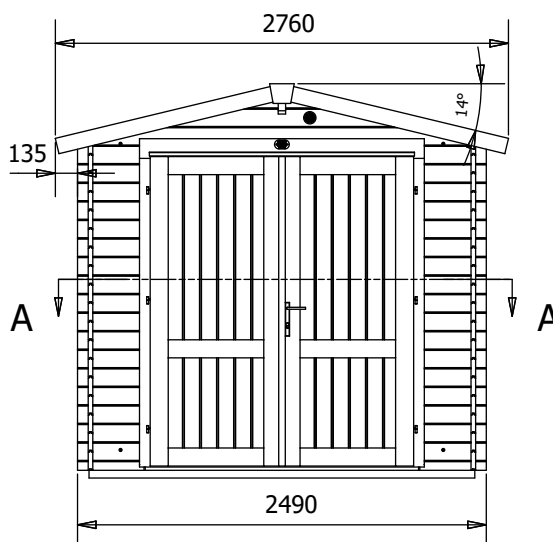
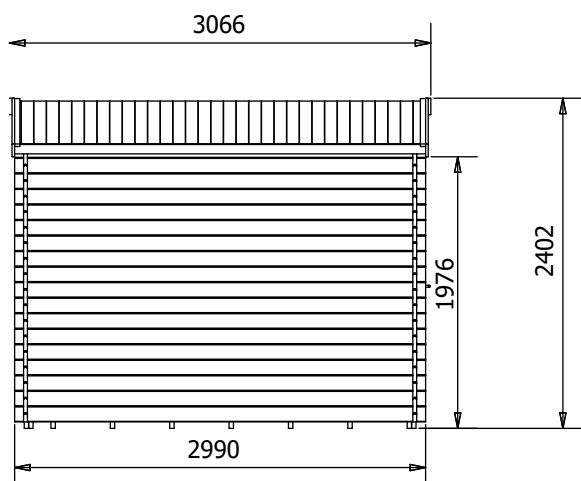
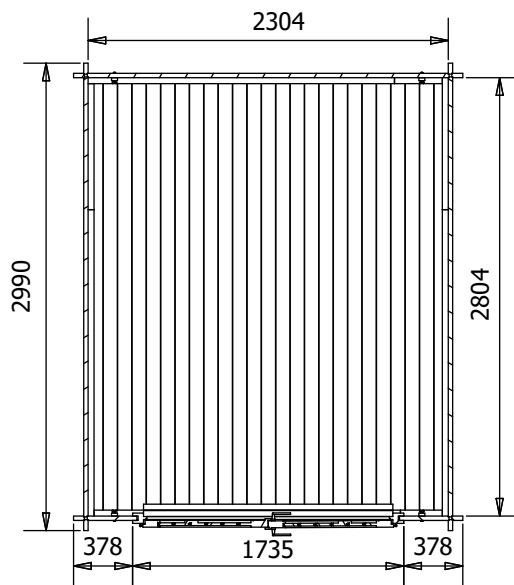


Petrus Log Cabin Workshop



Specification

- Overall External Dimensions: 2.76m x 3.06m (9' 0.75" x 10' 0.5")
- External Width: 2.49m (8' 2")
- External Depth: 2.99m (9' 9.75")
- Internal Width: 2.31m (7' 6")
- Internal Depth: 2.80m (9' 2")
- Internal Area (m²): 6.44m²
- Ridge Height: 2.40m (7' 10")
- Internal Eaves Height: 2.02m (6' 7")
- Roof & Floor Thickness: 19mm Tongue and Groove
- Floor Bearers: Pressure Treated

- Door Height (Walkthrough Height): 1.82m
 - Door Width (Walkthrough Width): 1.55m
 - Door Locking System: Multi-point lock
 - Approx. Assembly Time: 2 Days*
- *This is an approximate time only, based on 2 people. Assembly time may vary depending on season/weather conditions, foundation type, ability of those constructing, etc