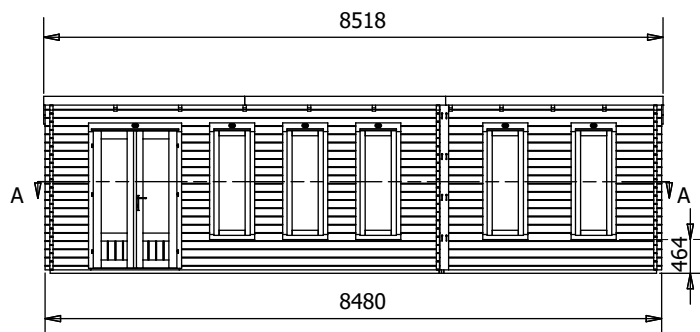
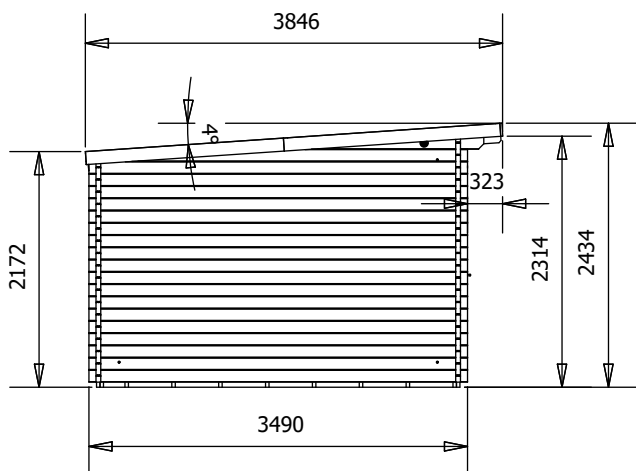
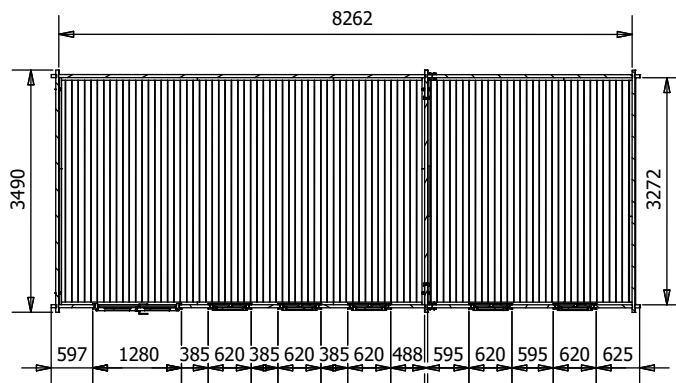




Terminator Grande Log Cabin

W8.5m x D3.5m



Specification

- Overall External Dimensions: 8.51m x 3.85m (27' 11" x 12' 7.5")
 - External Width: 8.48m (27' 9")
 - External Depth: 3.49m (12' 7.5")
 - Internal Width: 8.26m (27' 1")
 - Internal Depth: 3.27m (10' 8.75")
 - Internal Area (m²): 27.01m²
 - Ridge Height: 2.46m (8' 0.75")
 - Internal Eaves Height Front: 2.30m (7' 6.5")
 - Internal Eaves Height Back: 2.07m (6' 9.5")
 - Roof Style: Pent
 - Roof & Floor Thickness: 19mm Tongue and Groove
 - Floor Bearers: Pressure Treated
 - Storm Braces: Included
 - Door Height (Walkthrough Height): 1.82m (5' 11")
 - Door Width (Walkthrough Width): 1.11m (3' 7")
 - Door Locking System: Industry Leading 4 Point Lock - 2 Cams, Latch & Hook Bolt
 - Window Locking System: Multi Point with Mushroom Headed Espagnolettes
 - Window Opening Size: 0.43m x 1.37m (1' 5" x 4' 5")
 - Glazing Material: 4mm Toughened Glass
 - Glazing Options: 24mm Double Glazing as Standard!
 - Ventilation: 2 Plastic Vents Included
 - Approx. Assembly Time: 2 Days*
- *This is an approximate time only, based on 2 people. Assembly time may vary depending on season/weather conditions, foundation type, ability of those constructing, etc